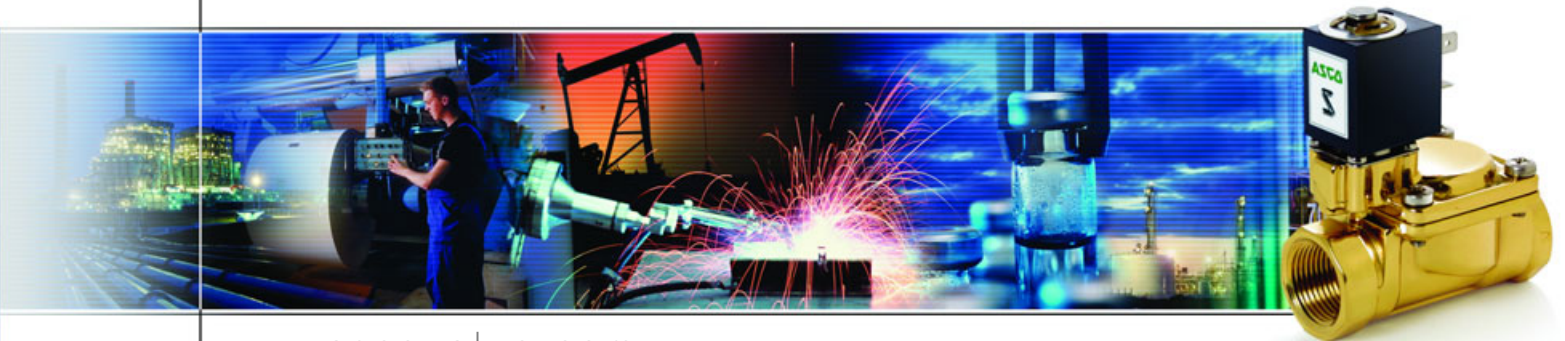




Commercial application solenoid valves

Compact solution

Air, water, and steam applications



[www.ascovalve.com](http://www.ascovalve.com)

# ASCO® S SERIES

## COMPACT VALVE SOLUTIONS

## FOR COMMERCIAL APPLICATIONS

ASCO is the worldwide leader in the design and manufacture of quality solenoid valves. The S Series valves are developed and engineered with ASCO's global resources. The S Series is a compact solenoid valve for 2-way and 3-way valve applications for the control of air, inert gas, water, light oil, and steam. This compact design saves space, reduces installation time, simplifies service, and improves performance.

### COMPACT SIZE

Small outer dimensions are achieved by minimizing pressure vessel wall thickness and optimizing coil windings.

### IMPROVED PERFORMANCE

Short stroke designs allow for increased life of vital components and improved DC pressure ratings. Stainless steel seats on steam valves improve the life and reliability while decreasing the risk of leakage.



### DIN CONNECTION

The standard DIN connection eliminates the need to run conduit or use junction boxes and wiring nuts, resulting in reduced installation time, decreased installation cost, and easy serviceability.

### COMMON COMPONENTS

Most constructions are AC/DC convertible with the switch of a coil, as well as using identical rebuild kits resulting in less inventory.



# Pilot Operated General Service Solenoid Valves

Brass Body • 3/8" to 1" NPT

2/2  
SERIES  
8238

The 8238 Series is a 2-way pilot operated valve available in Normally Closed and Normally Open constructions. They are available either AC or DC operated with brass bodies. They come standard with DIN connection coils. Options are limited to flying leads, manual operators, and some alternate elastomers. Dedicated constructions of the 8238 Series are suitable for the following applications:

- General Service (air, inert gas, water, and light oil)

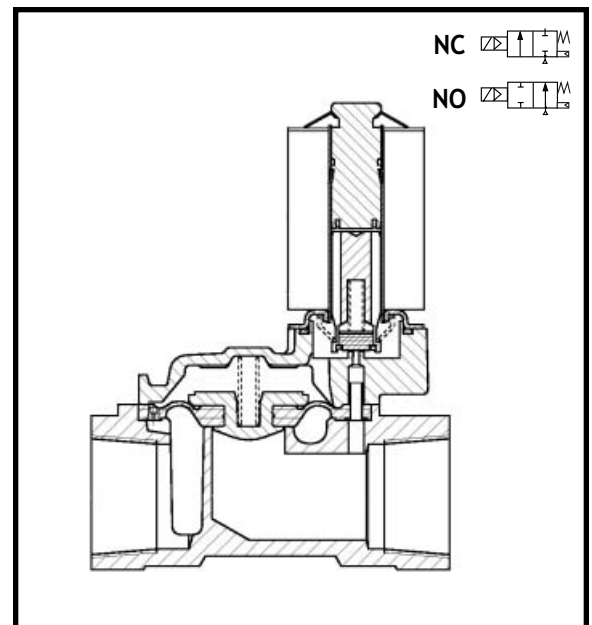
## Construction

Valve Parts in Contact with Fluids	
General Service	
Body	Brass
Seals and Discs	as listed
Core Tube	Stainless Steel
Core and Plugnut	Stainless Steel
Springs	Stainless Steel
Shading Coil	Copper

## Electrical

Standard Coil Class of Insulation	Watt Rating and Power Consumption				Ambient Temp. °F	DIN Spare Coil Family	DIN Connection Size
	DC Watts	AC					
		Watts	VA Holding	VA Inrush		AC/DC	
F	5.5	4	6	12	15 to 140	4300	11 mm
F	9.2	9.2	14	23	15 to 140	ZA34A	18 mm
F	13.0	13.0	24	44	15 to 140	Z134A	18 mm
F	17.2	-	-	-	15 to 140	Z914A	18 mm
F	-	21.0	33	65	15 to 140	Z923E	18 mm

**Standard Voltages:** 24, 120, 240 volts AC, 60 Hz (or 110, 230 volts AC, 50 Hz). 12, 24 volts DC (6 DC for 3 watt version). Must be specified when ordering.



## Approvals

UL recognized coil  
Meets applicable CE directives



Specifications

Pipe Size (ins.)	Orifice Dia. (ins.)	Cv Flow	Operating Pressure Differential (psi)							Max. Fluid Temp. °F	Brass	Const. Ref.	UL <sup>①</sup>	Wattage		Approx. Shipping Weight (lbs.)
			Max. AC			Max. DC								AC	DC	
			Min.	Air - Inert Gas	Water	Light Oil	Air - Inert Gas	Water	Light Oil							
<b>General Service - Normally Closed</b>																
3/8	25/64	1.75	0	145	145	145	43	43	43	195	SC8238S401	1	☐	9.2	9.2	2.0
3/8	17/32	2.89	5	230	230	230	230	230	230	195	SC8238T402	2	☐	4	5.5	1.7
1/2	1/2	2.46	0	145	145	145	43	43	43	195	SC8238S404	4	☐	13	13	2.3
1/2	17/32	4.45	5	230	230	230	230	230	230	195	SC8238T405	5	☐	4	5.5	2.0
3/4	3/4	5.60	0	3	3	3	-	-	-	190	SC8238S406	6	☐	13	-	2.3
3/4	11/16	5.27	0	145	145	145	43	43	43	195	SC8238S407	7	☐	13	13	2.7
3/4	11/16	5.85	5	175	175	175	175	175	175	195	SC8238T408	8	☐	4	5.5	2.3
1	3/4	10.53	0	145	145	145	43	43	43	195	SC8238S409	9	-	21	17.2	5.0
1	15/16	12.87	5	175	175	175	175	175	175	195	SC8238T410	10	☐	4	5.5	3.5
1 1/4	1 1/4	17.50	7	145	145	145	145	145	145	195	SC8238S411	11	☐	9.2	9.2	4.6
1 1/2	1 3/4	31.50	7	145	145	145	145	145	145	195	SC8238S412	12	☐	9.2	9.2	6.7
2	1 3/4	39.66	7	145	145	145	145	145	145	195	SC8238S413	13	☐	9.2	9.2	7.6
<b>General Service - Normally Open</b>																
3/8	17/32	2.89	5	175	175	175	120	120	120	195	SC8238T414	14	☐	4	5.5	2.0
1/2	17/32	4.45	5	175	175	175	120	120	120	195	SC8238T415	15	☐	4	5.5	2.3
3/4	11/16	5.85	5	175	175	175	120	120	120	195	SC8238T416	16	☐	4	5.5	2.5
1	15/16	12.87	5	175	175	175	90	90	90	195	SC8238T417	17	☐	4	5.5	3.5
1 1/4	1 1/4	17.50	7	145	145	145	145	145	145	195	SC8238S418	18	☐	9.2	9.2	4.6
1 1/2	1 3/4	31.50	7	145	145	145	145	145	145	195	SC8238S419	19	☐	9.2	9.2	6.7
2	1 3/4	39.66	7	145	145	145	145	145	145	195	SC8238S420	20	☐	9.2	9.2	7.6

☐ = UL recognized coil. ① With SU or SC prefix only.

Capabilities Chart

NEMA Type 3-9	Solenoid Options							Base Catalog Number	Resilient Materials								Other	Standard Rebuild Kit	
	High Temp. (DIN only)	Wiring Box Screw Terminal	Multipin	DIN	Spade	Open Frame with Leads ②	Brass		NBR	FKM	EPDM	Neoprene	Oxygen Service	PTFE	Urethane	Vacuum		Manual Operator	Brass AC
-	SU	-	-	●	-	OF	SC8238S401	●	V ①	-	-	-	-	-	-	MO	323185	323185	
-	SU	-	-	●	-	OF	SC8238T402	●	V ①	-	-	-	-	-	-	MO	323457	323457	
-	SU	-	-	●	-	OF	SC8238S404	●	V	-	-	-	-	-	-	-	322957	322957	
-	SU	-	-	●	-	OF	SC8238T405	●	V ①	-	-	-	-	-	-	MO	323457	323457	
-	SU	-	-	●	-	-	SC8238S406	●	-	-	-	-	-	-	-	-	322961	-	
-	SU	-	-	●	-	OF	SC8238S407	●	V	-	-	-	-	-	-	-	322962	322962	
-	SU	-	-	●	-	OF	SC8238T408	●	V ①	-	-	-	-	-	-	MO	323507	323507	
-	SU	-	-	●	-	-	SC8238S409	●	V	-	-	-	-	-	-	-	322966	322966	
-	SU	-	-	●	-	OF	SC8238T410	●	V ①	-	-	-	-	-	-	MO	323508	323508	
-	SU	-	-	●	-	OF	SC8238S411	●	V ①	-	-	-	-	-	-	MO	323187	323187	
-	SU	-	-	●	-	OF	SC8238S412	●	V ①	-	-	-	-	-	-	MO	323189	323189	
-	SU	-	-	●	-	OF	SC8238S413	●	V ①	-	-	-	-	-	-	MO	323191	323191	
-	SU	-	-	●	-	OF	SC8238T414	●	V	-	-	-	-	-	-	-	323553	-	
-	SU	-	-	●	-	OF	SC8238T415	●	-	-	-	-	-	-	-	-	323553	-	
-	SU	-	-	●	-	OF	SC8238T416	●	-	-	-	-	-	-	-	-	323554	-	
-	SU	-	-	●	-	OF	SC8238T417	●	-	-	-	-	-	-	-	-	323555	-	
-	SU	-	-	●	-	OF	SC8238S418	●	V ①	-	-	-	-	-	-	-	323193	323193	
-	SU	-	-	●	-	OF	SC8238S419	●	V ①	-	-	-	-	-	-	-	323195	323195	
-	SU	-	-	●	-	OF	SC8238S420	●	V ①	-	-	-	-	-	-	-	323197	323197	

● = Standard. ① Reduces pressure rating by 25%; ② Drop the SC when applying the OF prefix.

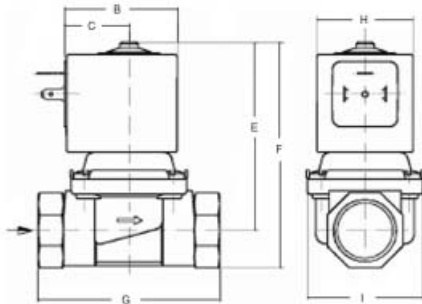




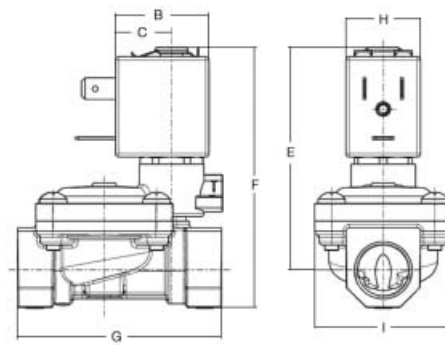
Dimensions: inches

Const. Ref.	A	B	C	D	E	F	G	H	I
1	-	1.63	0.85	-	2.71	3.15	2.36	1.18	1.61
2	-	1.08	0.65	-	2.80	3.23	2.36	0.86	1.57
4	-	1.93	1.10	-	2.93	3.54	2.60	1.65	1.61
5	-	1.08	0.65	-	2.80	3.43	2.60	0.86	1.57
6	-	1.93	1.10	-	3.23	3.88	3.11	1.65	2.01
7	-	1.93	1.10	-	3.19	3.86	3.11	1.65	2.01
8	-	1.08	0.65	-	2.85	3.50	3.11	0.86	1.97
9	-	2.33	1.38	-	3.94	4.76	4.13	1.91	2.80
10	-	1.08	0.65	-	3.35	4.17	4.13	0.86	2.80
11	-	1.69	1.06	-	4.29	5.31	4.45	1.26	3.19
12	-	1.69	1.06	-	4.41	5.59	5.51	1.26	4.33
13	-	1.69	1.06	-	4.61	6.02	6.18	1.26	4.33
14	-	1.08	0.65	-	2.63	3.07	2.36	0.86	1.57
15	-	1.08	0.65	-	2.72	3.27	2.60	0.86	1.57
16	-	1.08	0.65	-	2.85	3.54	3.11	0.86	1.97
17	-	1.08	0.65	-	3.35	4.21	4.13	0.86	2.80
18	-	1.69	1.06	-	4.29	5.31	4.45	1.26	3.19
19	-	1.69	1.06	-	4.41	5.59	5.51	1.26	4.33
20	-	1.69	1.06	-	4.61	6.02	6.18	1.26	4.33

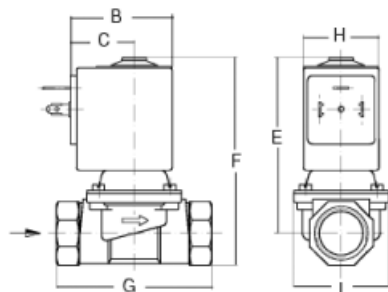
Const. Ref. 1, 4, 7, 9



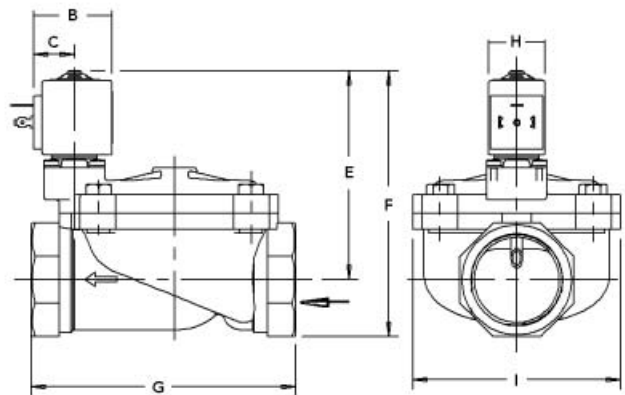
Const. Ref. 2, 5, 8, 10, 14-17



Const. Ref. 6



Const. Ref. 11, 12, 13, 18, 19, 20





The 8240 Series is a 2-way direct acting or pilot operated valve available in Normally Closed and Normally Open constructions. They are available either AC or DC operated with brass bodies and can handle the challenges of high temperature fluids. They come standard with DIN connection coils. Dedicated constructions of the 8240 Series are suitable for the following applications:

- Steam and Hot Water

## Construction

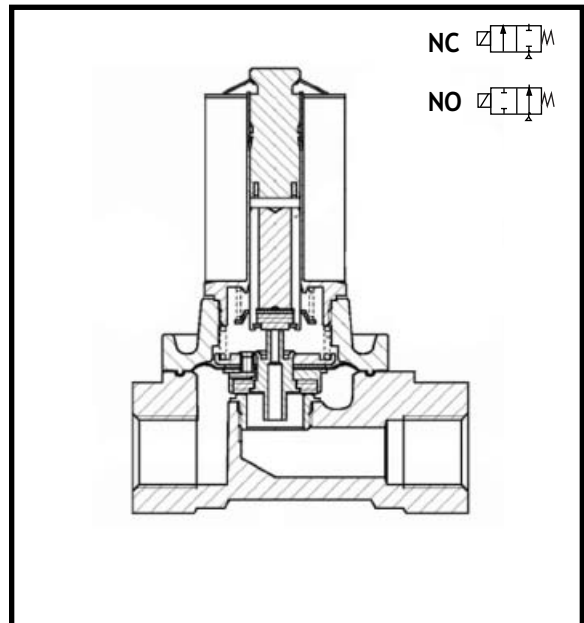
Valve Parts in Contact with Fluids	
Body	Brass
Seat	Stainless Steel
Core Tube	Stainless Steel
Core and Plugnut	Stainless Steel
Springs	Stainless Steel
Shading Coil	Copper
Discs and Seals	See Capabilities Chart



## Electrical

Standard Coil Class of Insulation	Watt Rating and Power Consumption				Ambient Temp. °F	DIN Spare Coil Family	DIN Connection Size
	DC Watts	AC					
		Watts	VA Holding	VA Inrush		AC/DC	
H	6.0	6.0	10	16	15 to 140	Z614A	11 mm
H	9.2	9.2	14	23	15 to 140	ZA34A	18 mm
H	13.0	13.0	24	44	15 to 140	Z134A	18 mm
H	17.2	17.2	27	50	15 to 140	Z914A	18 mm

**Standard Voltages:** 24, 120, 240 volts AC, 60 Hz (or 110, 230 volts AC, 50 Hz). 12, 24 volts DC. Must be specified when ordering.



## Approvals

UL recognized coil  
Meets applicable CE directives



Specifications

Pipe Size (ins.)	Orifice Dia. (ins.)	Cv Flow	Operating Pressure Differential (psi)						Max. Fluid Temp. °F	Brass	Const. Ref.	UL	Wattage		Approx. Shipping Weight (lbs.)
			Min.	Max. AC		Max. DC		AC					DC		
				Steam	Hot Water	Steam	Hot Water								
<b>Steam and Hot Water Service - Normally Closed</b>															
1/4	1/8	0.33	0	120	245	70	70	340	SC8240S403	2	☐	9.2	9.2	1.5	
1/4	11/64	0.47	0	120	120	35	35	340	SC8240S404	2	☐	9.2	9.2	1.5	
3/8	3/8	2.34	6	120	120	-	-	340	SC8240S405	3	☐	6	-	1.6	
1/2	7/16	2.46	0	45	90	-	-	285	SC8240S406	4	☐	13	-	2.5	
1/2	3/8	2.93	6	120*	120*	-	-	340	SC8240S407	5	☐	6	-	2.0	
3/4	11/16	5.85	0	45	90	-	-	285	SC8240S408	6	☐	13	-	3.0	
3/4	5/8	5.25	6	87	87	-	-	340	SC8240S409	7	☐	9.2	-	2.0	
1	7/8	9.95	0	45	90	-	-	285	SC8240S410	8	-	17.2	-	4.7	
1	47/64	9.90	6	87	87	-	-	340	SC8240S411	9	☐	9.2	-	3.5	
<b>Steam and Hot Water Service - Normally Open</b>															
1/4	1/8	0.35	0	145	145	120	120	340	SC8240S412	10	☐	13	13	2.0	

☐ = UL recognized coil. \* When 208-240/60, 220/50 coil is used, pressure is de-rated to 100 psi.

Capabilities Chart

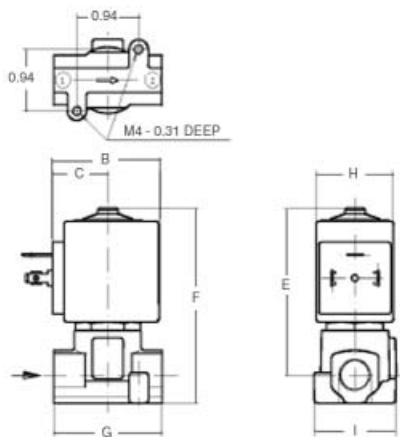
Solenoid Options							Base Catalog Number	Resilient Materials								Other		Standard Rebuild Kit	
NEMA Type 3-9	High Temp.	Wiring Box Screw Terminal	Multipin	DIN	Spade	Open Frame with Leads	Brass	NBR	FKM	EPDM	Ruby	Oxygen Service	PTFE	Urethane	Vacuum	Manual Operator	Mounting Bracket	Brass AC	Brass DC
-	●	-	-	●	-	-	SC8240S403	-	-	-	●	-	-	-	-	-	-	322984	322984
-	●	-	-	●	-	-	SC8240S404	-	-	-	●	-	-	-	-	-	-	322985	322985
-	●	-	-	●	-	-	SC8240S405	-	-	-	-	●	-	-	-	-	-	322986	-
-	●	-	-	●	-	-	SC8240S406	-	-	-	-	●	-	-	-	-	-	322987	-
-	●	-	-	●	-	-	SC8240S407	-	-	-	-	●	①	-	-	-	-	322995	-
-	●	-	-	●	-	-	SC8240S408	-	-	-	-	●	①	-	-	-	-	322989	-
-	●	-	-	●	-	-	SC8240S409	-	-	-	-	●	-	-	-	-	-	323199	-
-	●	-	-	●	-	-	SC8240S410	-	-	-	-	●	-	-	-	-	-	322990	-
-	●	-	-	●	-	-	SC8240S411	-	-	-	-	●	-	-	-	-	-	323200	-
-	●	-	-	●	-	-	SC8240S412	-	-	-	●	-	-	-	-	-	-	322991	322991

● = Standard. ① Core disc in EPDM, diaphragm in PTFE.

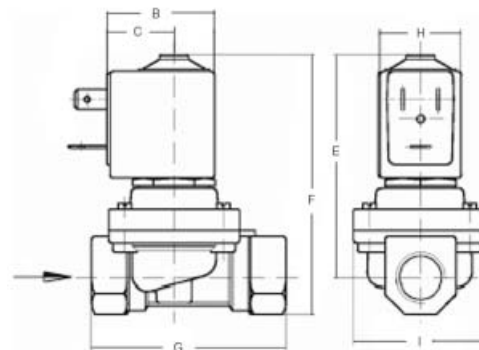
Dimensions: inches

Const. Ref.	A	B	C	D	E	F	G	H	I
2	-	1.63	0.85	-	2.57	3.00	1.65	1.18	1.26
3	-	1.32	0.83	-	2.72	3.15	2.36	0.98	1.57
4	-	1.93	1.10	-	3.13	3.66	2.60	1.64	1.64
5	-	1.32	0.83	-	2.83	3.35	2.60	0.98	1.57
6	-	1.93	1.10	-	3.33	4.00	3.11	1.64	2.01
7	-	1.69	1.06	-	3.07	3.72	3.11	1.26	1.97
8	-	2.33	1.38	-	4.13	4.96	4.13	1.91	2.80
9	-	1.69	1.06	-	4.01	4.48	4.13	1.26	2.79
10	-	1.93	1.10	-	2.74	3.18	1.65	1.65	-

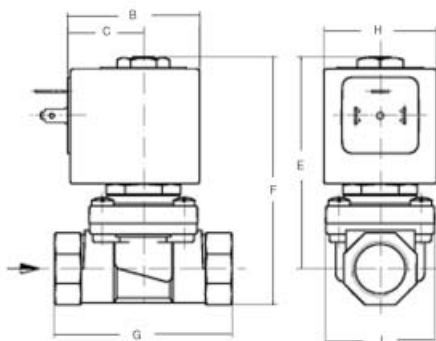
Const. Ref. 2



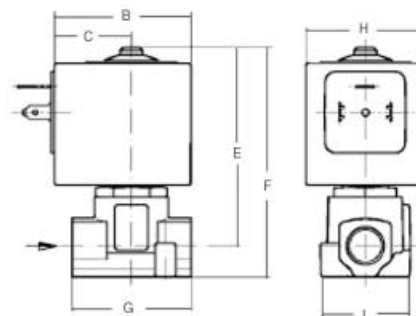
Const. Ref. 3, 5, 7, 9



Const. Ref. 4, 6, 8



Const. Ref. 10







The 8261 Series is a 2-way direct acting valve available in Normally Closed and Normally Open constructions. They are available either AC or DC operated with brass bodies. They come standard with DIN connection coils. Options are limited to flying leads and some alternate elastomers. Dedicated constructions of the 8261 Series are suitable for the following applications:

- General Service (air, inert gas, water, and light oil)

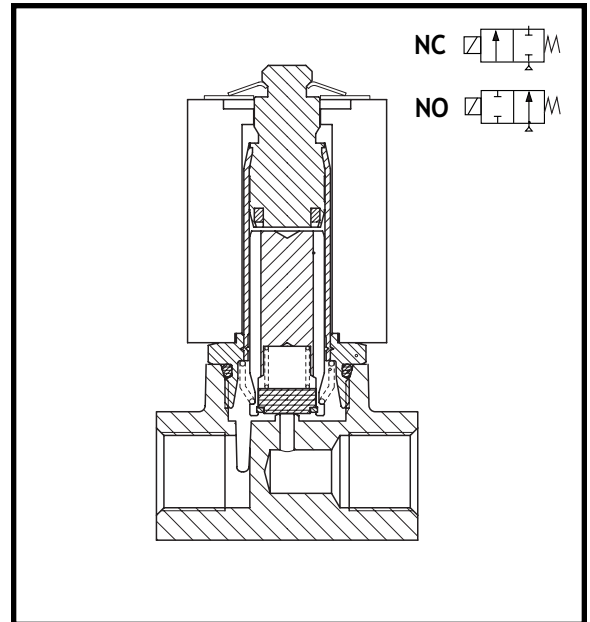
### Construction

Valve Parts in Contact with Fluids	
General Service	
Body	Brass
Seals and Discs	NBR, FKM, or EPDM (as listed)
Core Tube	Brass or Stainless Steel
Core and Plugnut	Stainless Steel
Springs	Stainless Steel
Shading Coil	Copper

### Electrical

Standard Coil Class of Insulation	Watt Rating and Power Consumption				Ambient Temp. °F	DIN Spare Coil Family	DIN Connection Size
	DC Watts	AC					
F	6.0	6.0	10	16	15 to 140	Z614A	11 mm
F	9.2	9.2	14	23	15 to 140	ZA34A	18 mm
F	13.0	13.0	24	44	15 to 140	Z134A	18 mm

**Standard Voltages:** 24, 120, 240 volts AC, 60 Hz (or 110, 230 volts AC, 50 Hz). 12, 24 volts DC. Must be specified when ordering.



### Approvals

UL recognized coil  
 Meets applicable CE directives



Specifications

Pipe Size (ins.)	Orifice Dia. (ins.)	Cv Flow	Operating Pressure Differential (psi)							Max. Fluid Temp. °F	Brass	Const. Ref.	UL ①	Wattage		Approx. Shipping Weight (lbs.)
			Min.	Max. AC			Max. DC							AC	DC	
				Air-Inert Gas	Water	Light Oil	Air-Inert Gas	Water	Light Oil							
<b>General Service - Normally Closed</b>																
1/8	1/16	0.11	0	435	435	435	435	435	250	SC8261S401V	1	<input type="checkbox"/>	9.2	9.2	1.3	
1/8	3/32	0.18	0	290	230	230	290	230	230	250	SC8261S403V	1	<input type="checkbox"/>	9.2	9.2	1.3
1/8	1/8	0.29	0	100	90	90	20	17	17	195	SC8261S404	3	<input type="checkbox"/>	6	6	1.3
1/4	1/16	0.11	0	435	435	435	435	435	435	195	SC8261S405	4	<input type="checkbox"/>	9.2	9.2	1.3
1/4	3/32	0.18	0	290	290	290	230	230	230	195	SC8261S406	4	<input type="checkbox"/>	9.2	9.2	1.3
1/4	1/8	0.29	0	100	100	100	50	50	50	195	SC8261S407	5	<input type="checkbox"/>	6	6	1.3
1/4	1/8	0.35	0	175	175	175	60	60	60	195	SC8261S408	4	<input type="checkbox"/>	9.2	9.2	1.3
1/4	11/64	0.47	0	36	36	36	15	15	15	195	SC8261S409	5	<input type="checkbox"/>	6	6	1.3
1/4	11/64	0.59	0	120	120	120	60	60	60	195	SC8261S410	6	<input type="checkbox"/>	13	13	1.8
1/4	15/64	0.76	0	15	15	15	5	5	5	195	SC8261S411	5	<input type="checkbox"/>	6	6	1.3
1/4	15/64	0.82	0	50	50	50	36	36	36	195	SC8261S412	6	<input type="checkbox"/>	13	13	1.8
1/4	15/16	0.93	0	145	145	145	145	145	145	195	SC8261S413	7	<input type="checkbox"/>	9.2	9.2	2.0
<b>General Service - Normally Open</b>																
1/4	1/8	0.35	0	70	70	70	70	70	70	195	SC8261S417V	10	<input type="checkbox"/>	9.2	9.2	2.0
1/4	1/8	0.35	0	175	145	145	175	145	145	260	SC8261S418V	11	<input type="checkbox"/>	13	13	2.0
<b>Nickel Coated Model - Normally Open</b>																
1/4	1/8	0.35	0	60	60	60	60	60	60	195	SC8261T420V	11	<input type="checkbox"/>	9.2	9.2	2.0

= UL recognized coil. ① With SU or SC prefix only.

Capabilities Chart

Solenoid Options							Base Catalog Number	Resilient Materials								Other	Standard Rebuild Kit		
NEMA Type 3-9	High Temp. (DIN Only)	Wiring Box Screw Terminal	Multipin	DIN	Spade	Open Frame with Leads ①	Brass	NBR	FKM	EPDM	Neoprene	Oxygen Service	PTFE	Urethane	Vacuum	Manual Operator	Mounting Bracket	Brass AC	Brass DC
-	SU	-	-	●	-	OF	SC8261S401V	-	●	-	-	-	-	-	-	-	-	322992	322992
-	SU	-	-	●	-	OF	SC8261S403V	-	●	-	-	-	-	-	-	-	-	322995	322995
-	SU	-	-	●	-	OF	SC8261S404	●	V	-	-	-	-	-	-	-	-	322996	322996
-	SU	-	-	●	-	OF	SC8261S405	●	V	-	-	-	-	-	-	-	-	322998	322998
-	SU	-	-	●	-	OF	SC8261S406	●	V	-	-	-	-	-	-	-	-	323000	323000
-	SU	-	-	●	-	OF	SC8261S407	●	V	-	-	-	-	-	-	-	-	323002	323003
-	SU	-	-	●	-	OF	SC8261S408	●	V	-	-	-	-	-	-	-	-	323006	323006
-	SU	-	-	●	-	OF	SC8261S409	●	V	-	-	-	-	-	-	-	-	323008	323009
-	SU	-	-	●	-	OF	SC8261S410	●	V	-	-	-	-	-	-	-	-	323012	323012
-	SU	-	-	●	-	OF	SC8261S411	●	V	-	-	-	-	-	-	-	-	323014	323015
-	SU	-	-	●	-	OF	SC8261S412	●	V	-	-	-	-	-	-	-	-	323018	323018
-	SU	-	-	●	-	-	SC8261S413	●	V	-	-	-	-	-	-	-	-	323201	323201
-	SU	-	-	●	-	OF	SC8261S417V	-	●	-	-	-	-	-	-	-	-	323021	323021
-	SU	-	-	●	-	OF	SC8261S418V	-	●	-	-	-	-	-	-	-	-	323022	323022
-	SU	-	-	●	-	OF	SC8261T420V	-	●	-	-	-	-	-	-	-	-	323184	323184

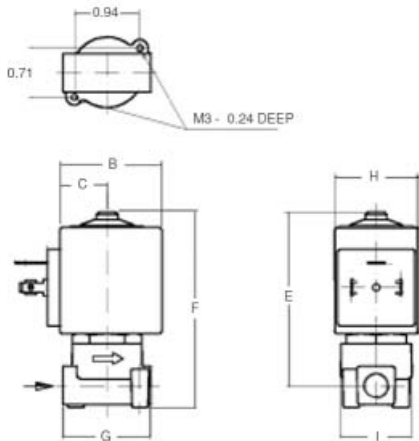
● = Standard. ① Drop the SC when applying the OF prefix.



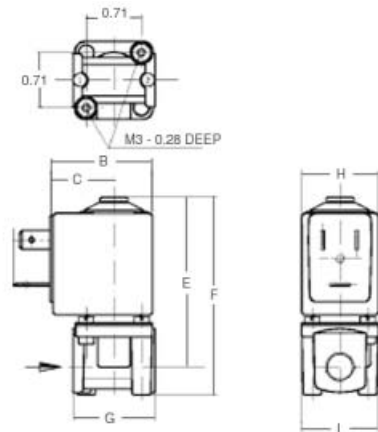
Dimensions: inches

Const. Ref.	A	B	C	D	E	F	G	H	I
1	-	1.64	0.85	-	2.5	2.81	1.26	1.18	1.02
3	-	1.32	0.83	-	2.17	2.52	1.06	0.98	0.98
4	-	1.64	0.85	-	2.57	3	1.65	1.18	1.26
5	-	1.32	0.83	-	2.17	2.56	1.69	0.98	0.98
6	-	1.93	1.1	-	2.66	3.15	1.57	1.65	1.28
7	-	1.69	1.06	-	2.69	3.18	1.57	1.26	1.28
10	-	1.93	1.1	-	2.74	3.18	1.65	1.65	1.26
11	-	1.69	1.06	-	2.93	3.35	1.65	1.26	1.26

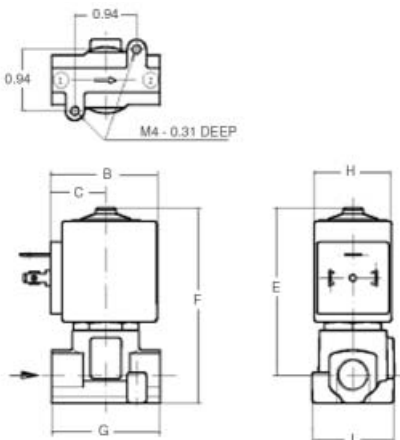
Const. Ref. 1



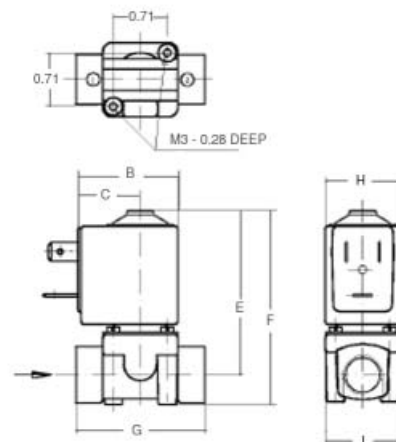
Const. Ref. 3, 7



Const. Ref. 4

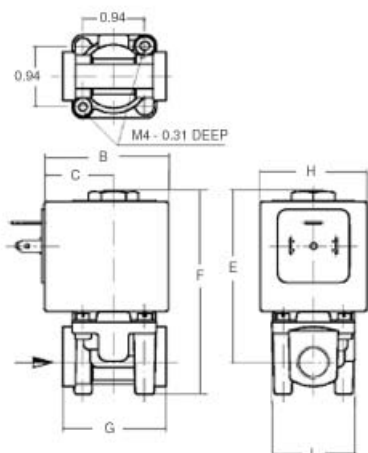


Const. Ref. 5

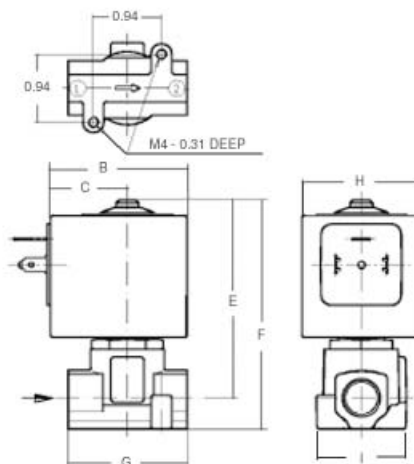


Dimensions: inches

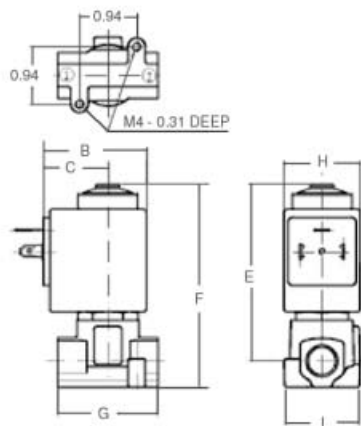
Const. Ref. 6



Const. Ref. 10



Const. Ref. 11





The 8374 Series is a 3-way direct acting valve available in Normally Closed, Normally Open, and Universal constructions. They are available either AC or DC operated with brass bodies. They come standard with DIN connection coils. Options are limited to flying leads, manual operators, and some alternate elastomers. Dedicated constructions of the 8374 Series are suitable for the following applications:

- General Service (air, inert gas, water, and light oil)

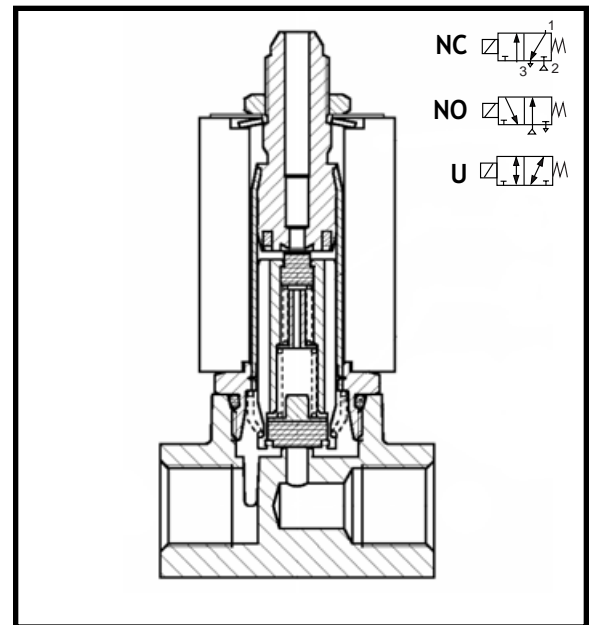
### Construction

Valve Parts in Contact with Fluids	
General Service	
Body	Brass
Seals and Discs	as listed
Core Tube	Brass or Stainless Steel
Core and Plugnut	Stainless Steel
Core Springs	Stainless Steel
Shading Coil	Copper
Disc Holder	CA

### Electrical

Standard Coil Class of Insulation	Watt Rating and Power Consumption				Ambient Temp. °F	DIN Spare Coil Family
	DC Watts	AC				
		Watts	VA Holding	VA Inrush		
F	9.2	9.2	14	23	15 to 140	ZA34A
F	12.3	-	-	-	15 to 140	ZA34E
F	13.0	13.0	24	44	15 to 140	Z134A

**Standard Voltages:** 24, 120, 240 volts AC, 60 Hz (or 110, 230 volts AC, 50 Hz). 12, 24 volts DC. Must be specified when ordering.



### Approvals

UL recognized coil  
 Meets applicable CE directives





### Specifications

Pipe Size (ins.)	Orifice Dia. (ins.)	Cv Flow	Operating Pressure Differential (psi)							Max. Fluid Temp. °F	Brass	Const. Ref.	UL ②	Wattage		Approx. Shipping Weight (lbs.)
			Min.	Max. AC			Max. DC							AC	DC	
				Air-Inert Gas	Water	Light Oil	Air-Inert Gas	Water	Light Oil							
<b>General Service - Normally Closed</b>																
1/4 ①	3/32	0.16	0	120	120	120	120	120	120	195	SC8374S402	2	<input type="checkbox"/>	9.2	12.3	1.6
1/4 ①	3/32	0.20	0	145	145	145	145	145	145	195	SC8374S403	3	<input type="checkbox"/>	13	13	2.1
<b>General Service - Normally Open</b>																
1/4 ①	3/32	0.16	0	120	120	120	120	120	120	195	SC8374S406	2	<input type="checkbox"/>	9.2	12.3	1.6
<b>General Service - Universal Operation</b>																
1/4 ①	3/32	0.16	0	70	70	70	70	70	70	195	SC8374S410	2	<input type="checkbox"/>	9.2	12.3	1.6

= UL recognized coil. ① Top port is size 1/8" Male thread; ② With SU or SC prefix only.

### Capabilities Chart

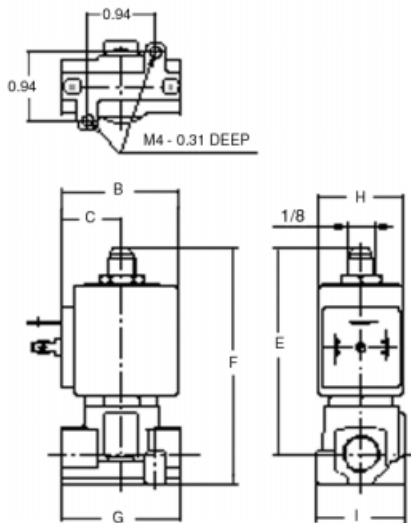
Solenoid Options							Base Catalog Number	Resilient Materials								Other		Standard Rebuild Kit	
NEMA Type 3-9	High Temp.	Wiring Box Screw Terminal	Multipin	DIN	Spade	Open Frame with Leads	Brass	NBR	FKM	EPDM	Neoprene	Oxygen Service	PTFE	Urethane	Vacuum	Manual Operator	Mounting Bracket	Brass AC	Brass DC
-	SU	-	-	●	-	OF	SC8374S402	●	V	-	-	-	-	-	-	-	-	323026	323026
-	SU	-	-	●	-	OF	SC8374S403	●	-	-	-	-	-	-	-	-	-	323028	323028
-	SU	-	-	●	-	OF	SC8374S406	●	-	-	-	-	-	-	-	-	-	323031	323031
-	SU	-	-	●	-	OF	SC8374S410	●	V	-	-	-	-	-	-	-	-	323034	323034

● = Standard

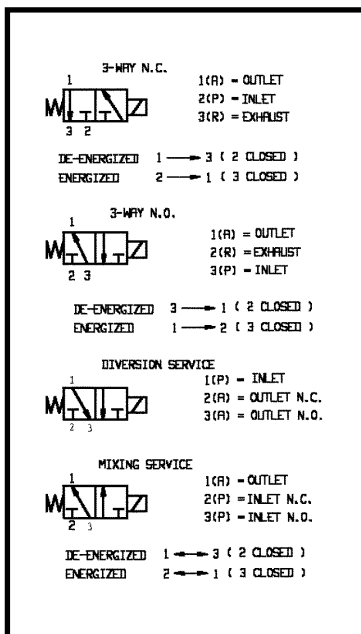
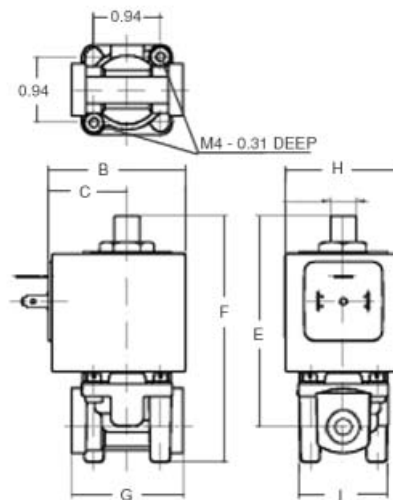
Dimensions: inches

Const. Ref.	A	B	C	D	E	F	G	H	I
2	-	1.63	0.85	-	2.87	3.31	1.65	1.18	1.26
3	-	1.93	1.10	-	3.01	3.50	1.57	1.65	1.28

Const. Ref. 2



Const. Ref. 3





## 2-Way Valves - 1/8" to 2"

**8238 Series** Internally pilot operated valves for air, inert gas, non-corrosive liquids, and light oil. Available in Normally Closed and Normally Open constructions, AC or DC operated with brass bodies.



**8261 Series** Direct acting for air, inert gas, non-corrosive liquids, and light oil. Available in Normally Closed and Normally Open constructions, AC or DC operated with brass or nickel plated brass bodies.



## 3-Way Valves - 1/4"

**8374 Series** Direct acting for air, inert gas, and non-corrosive liquids. Available in Normally Closed and Normally Open, and Universal constructions, AC or DC operated with brass bodies.



## Steam Valves - 1/4" to 1"

**8240 Series** Direct acting or pilot operated for hot water and low pressure steam. Available in Normally Closed and Normally Open constructions, AC or DC operated with brass bodies and stainless steel seats that can handle the challenges of high temperature fluids.

Options include flying leads, alternate elastomers, manual operators, and mounting brackets. Standard ASCO S Series can operate in 15° to 140°F ambient temperature locations.

www.ascovalve.com

**Canada**  
Tel 519-758-2700

**Australia**  
Tel (61) 2-9451-7077

**Brazil**  
Tel (55) 11-4208-1660

**Mexico**  
Tel (52-1) 728-28-51-238

**France**  
Tel (33) 1-47-14-32-00

**Germany**  
Tel (49)-7237-9960

**United Kingdom**  
Tel (44) 1695-713600

**China**  
Tel (86-28) 8662-8833

**Singapore**  
Tel (65) 6556-1100

**Japan**  
Tel (81) 798-65-6361