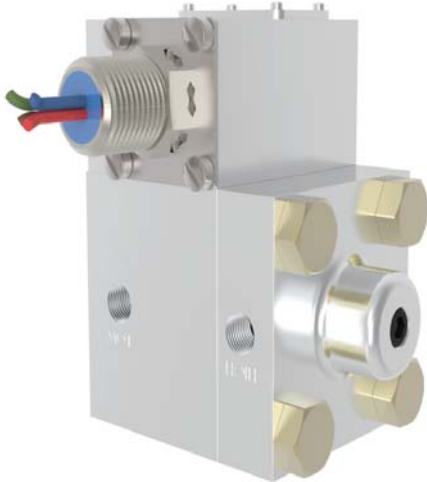




CustomControlSensors

Hazardous Areas Pre-Set Pressure Switch

674DE* - Diaphragm Sensor



DESCRIPTION

- Highly reliable devices utilizing the CCS Dual-Snap® Belleville disc spring principle pioneered by CCS' engineers .
- Engineering based on aerospace technology.
- Rigid, midsize and internally adjustable for factory setting.
- Repeatable and stable set points.
- Vibration and shock resistant.
- High cycle life.
- High over-pressure capability. (System and Proof)

SERIES:

674DE*

SET POINT RANGE:

DIFFERENTIAL PRESSURE:

2 to 800 PSID
0.14 to 55.16 bar
13.79 to 5515 kPa

OPERATING TEMPERATURE:

Temperature limits change with o-ring selection.

-40° to 186°F
-40° to 86°C

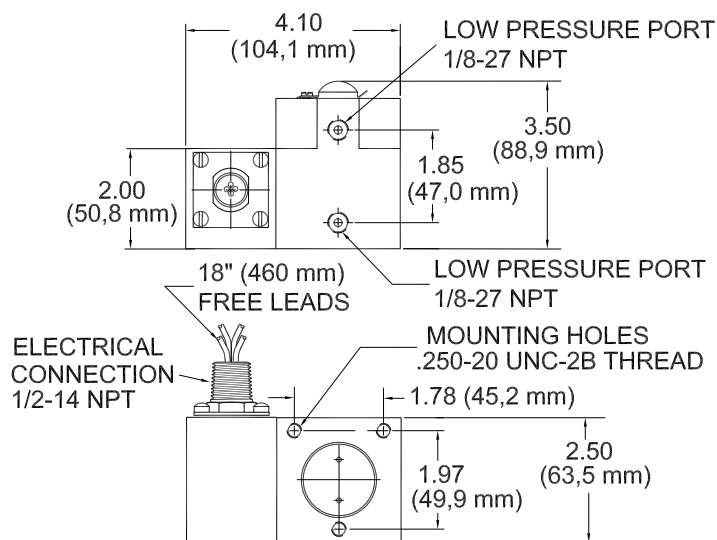
STANDARD FEATURES:

- Hermetically Sealed Electrical Assembly
- CE Mark
- CRN
- NEMA: 4, 7, 9, 13 / IP66
- U.L. / CSA Listed

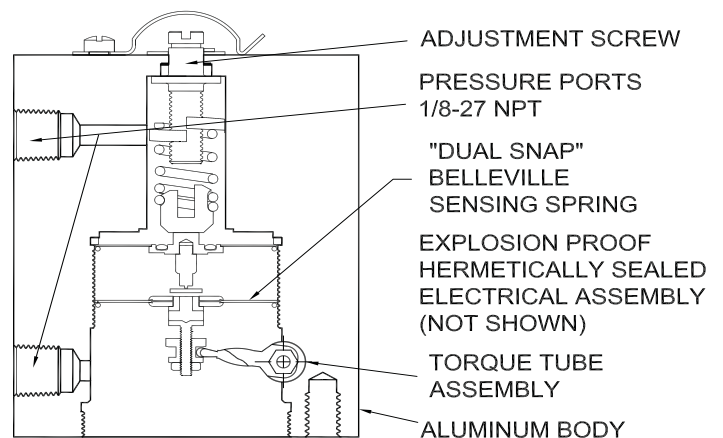
- Certified explosion proof hermetically sealed electrical assembly for environmental protection.
- Various options for wetted materials and electrical ratings to meet a wide range of application requirements and media compatibility.

SHIPPING WEIGHT: APPROXIMATELY 47 OUNCES (1332 GRAMS)

INSTALLATION DRAWING



DESIGN PRINCIPLES



SERIES 674DE

FIELD SETTING: Loosen access cover. Adjust screwdriver adjustment slot. Clockwise to decrease settings. Counterclockwise to increase settings.

NOTE: DO NOT USE ELECTRICAL HEX FOR TORQUING.



CustomControlSensors

Hazardous Areas Pre-Set Pressure Switch

674DE* - Diaphragm Sensor

OPERATING AND ORDERING DATA

SERIES 674DE*	WETTED PARTS: 1/8"-27 NPT ALUMINUM PRESSURE PORT & POLYIMIDE DIAPHRAGM, VITON O-RING							
	FIX SET POINT RANGE (SPECIFY SET POINT ON ORDER)		APPROXIMATE DEAD BAND PSI (BAR)		MAX SYSTEM PRESSURE PSIG (BAR)	PROOF PRESSURE PSIG (BAR)		
	INCREASING PRESSURE PSID (BAR)	DECREASING PRESSURE PSID (BAR)	AT BOTTOM OF RANGE	AT TOP OF RANGE		BOTH PORTS SIMULT.	HIGH OVER LOW LOW OVER	
					HIGH		LOW	
674DE*1	7-80 (0.48-5.52)	2-68 (0.14-4.68)	5 (0.345)	12 (0.83)	3000 (207)	4500 (310)	2500 (172)	2500 (172)
674DE*2	81-350 (5.58-24.13)	66-297 (4.55-20.48)	14 (.97)	52 (3.59)				
674DE*3	351-800 (24.2-55.15)	291-680 (20.06-46.88)	60 (4.13)	120 (8.23)				

HOW TO ORDER

Follow these steps to build your part number:

1. Specify the series based on your required set point, range, dead band, system pressure and proof pressure.
2. Add desired options model code letter.
3. Add the applicable standard suffix number.

(Ex: 674DEMY3-7054)

PRESSURE CONVERSION

1 BAR = 14.5 PSI
1 kPa = 0.145 PSI

OPTIONAL STANDARD MODIFIED SUFFIXES

- 7008:** Gold Contacts
- 7054:** 2 Meter Free Leads
- 7076:** 18 inch Teflon Free Leads (Low Temp Wire)

OPTIONS MODEL CODES

- F:** Ethylene Propylene O-Ring
- M:** DPDT Electrical
- Y:** ATEX / GOST Certified Electrical Assembly (Consult CCS Sales Department for GOST options and requirements.)

CERTIFICATIONS

Consult CCS website for complete certification and approval listing.

ELECTRICAL ENCLOSURE CERTIFICATIONS

* c-UL, U.L./CSA Explosion Proof: Div. 1, 2 hermetically sealed electrical assembly P/N 46-1058 (46-1061 for M model option), listed by both Underwriter's Laboratories, Inc. (File No. E32961) and Canadian Standard Association (CSA) Testing Laboratories (File No. LR22921) for hazardous locations, Class 1, Groups A, B, C, and D; Class 2 Groups E, F, and G.

* ATEX certified for potentially explosive atmospheres electrical assembly series 46-XXXXXXX, Models 6****, Ex d IIC T6, Directive 94/9/EC Sira #08ATEX1046X. (Option Y). Consult CCS Sales Department for certification requirements.

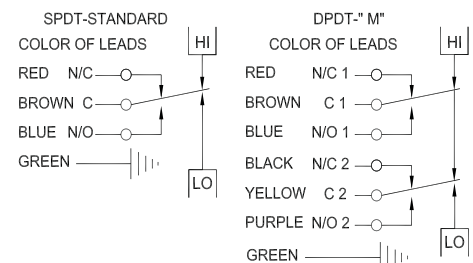
* IECEx - SIRA certified, SIR 10,0193X (Option Y)

ELECTRICAL CHARACTERISTICS RATING OF SWITCH ELEMENT

VOLTS	AMPERES	
	SPDT	DPDT "M"
	Res.	Res.
125 AC - 50/60 Hz	11	11
250 AC - 50/60 Hz	11	11
30 DC	5	5
125 DC	.5	.5
*125 AC - 50/60 Hz	1 max	1 max
*30 DC	1 max	1 max

*Gold Contacts -7008 Suffix

SCHEMATIC AND WIRING CODE



Note: Additional modified standard suffixes are available, consult CCS sales department or CCS Representative.