



CustomControlSensors

# Non-Hazardous Areas Adjustable Pressure Switch

## 675G\*800\* - Diaphragm Sensor



### DESCRIPTION

- Highly reliable devices utilizing the CCS Dual-Snap® Belleville disc spring principle pioneered by CCS' engineers.
- Engineering based on aerospace technology.
- Rigid, midsize and internally adjustable for convenient field set point adjustment.
- Repeatable and stable set points.
- Vibration and shock resistant.
- High cycle life.
- High over-pressure capability. (System and Proof)

SHIPPING WEIGHT: APPROXIMATELY 19 OUNCES (538 GRAMS)

### SERIES:

675G\*800\*

### ADJUSTABLE SET POINT RANGE:

.2 to 31" H<sub>2</sub>O  
 .5 to 77.2 mbar  
 0.05 to 7.72 kPa

### OPERATING TEMPERATURE:

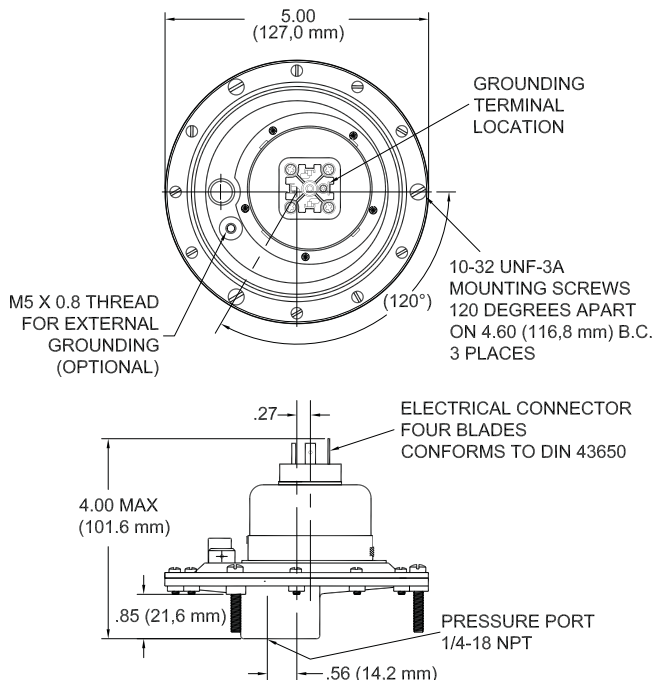
Temperature limits change with o-ring selection.

-40° to 186°F  
 -40° to 86°C

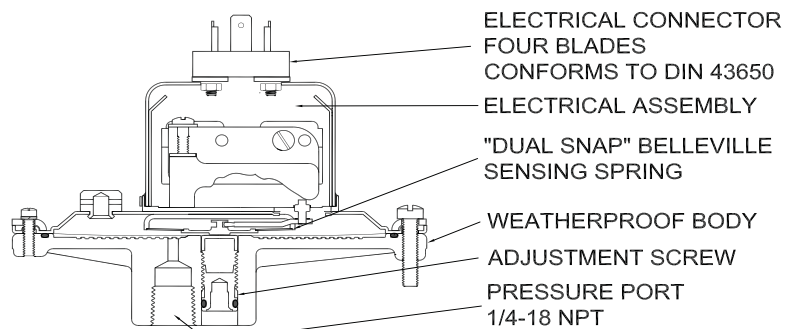
### STANDARD FEATURES:

- NEMA: 4, 13 / IP65
- Electrical Connector  
Conforms to DIN 43650

### INSTALLATION DRAWING



### DESIGN PRINCIPLES



### SERIES 675G800

**FIELD SETTING:** Insert 3/16" Allen wrench into adjustment screw (located in pressure port). Clockwise to decrease settings. Counterclockwise to increase settings.



CustomControlSensors

# Non-Hazardous Areas Adjustable Pressure Switch

## 675G\*800\* - Diaphragm Sensor

### OPERATING AND ORDERING DATA

SERIES 675G*800*	WETTED PARTS: 1/4"-18 NPT ALUMINUM PRESSURE PORT, POLYIMIDE DIAPHRAGM, BUNA N O-RING				
	ADJUSTABLE SET POINT RANGE		APPROXIMATE DEAD BAND INCHES H2O (mbar)	MAX SYSTEM PRESSURE PSIG (mbar)	PROOF PRESSURE PSIG (mbar)
	INCREASING PRESSURE INCHES H2O (mbar)	DECREASING PRESSURE INCHES H2O (mbar)			
675G*8001	2.0-6.9 (4.9-17.2)	0.2-5.6 (0.5-14)	1.3 (3.2)	14.75 (1017)	25 (1724)
675G*8002	7-12.9 (17.4-32.1)	5.5-11.4 (13.7-28.4)	1.5 (3.7)		
675G*8003	13-18.9 (32.4-47.1)	11-16.9 (27.4-42.1)	2.0 (5.0)		
675G*8004	19-24.9 (47.3-62)	16.5-22.4 (41.1-55.8)	2.5 (6.2)		
675G*8005	25-31 (62.3-77.2)	22-28 (54.8-69.8)	3.0 (7.5)		

### HOW TO ORDER

Follow these steps to build your part number:

1. Specify the series based on your required set point, range, dead band, system pressure and proof pressure.
2. Add desired options model code letter.
3. Add the applicable standard suffix number.

(Ex: 675GA8003)

### PRESSURE CONVERSION

1 BAR = 14.5 PSI  
1 kPa = 0.145 PSI

### OPTIONAL STANDARD MODIFIED SUFFIXES

7008: Gold Contacts

### OPTIONS MODEL CODES

A: Viton® O-Ring

### ACCESSORIES - SOLD SEPARATELY

89-130: Optional Switch Mounting Bracket Kit

69-102: Mating Connector

57-159: Sealing Gasket

### CERTIFICATIONS

Consult CCS website for complete certification and approval listing.

*Note: Additional modified standard suffixes are available, consult CCS sales department or CCS Representative.*

### ELECTRICAL CHARACTERISTICS

RATING OF SWITCH ELEMENT

VOLTS	AMPERES	
	SPDT	Res.
125 AC - 50/60 Hz	15	
250 AC - 50/60 Hz	15	
480 AC - 50/60 Hz	15	
28 DC	-	
125 DC	.5	
250 DC	.2	

### SCHEMATIC AND WIRING CODE

RECEPTACLE

