



CustomControlSensors

Hazardous Areas Adjustable Pressure Switch

6905DZE* - Diaphragm Sensor

DESCRIPTION

- Highly reliable devices utilizing the CCS Dual-Snap® Belleville disc spring principle pioneered by CCS' engineers.
- Engineering based on aerospace technology.
- Rigid, compact and internally adjustable for convenient field set point adjustment.
- Repeatable and stable set points.
- Vibration and shock resistant.
- High cycle life.
- High over-pressure capability. (System and Proof)
- Certified explosion proof hermetically sealed electrical assembly for environmental protection.
- Various options for electrical ratings to meet a wide range of application requirements and media compatibility.

SHIPPING WEIGHT: APPROXIMATELY 49 OUNCES (1389 GRAMS)

SERIES:

6905DZE*-7042

ADJUSTABLE SET POINT RANGE:

DIFFERENTIAL PRESSURE:

.5 to 75 PSID

0.03 to 5.17 bar

3.45 to 517 kPa

OPERATING TEMPERATURE:

Temperature limits change with O-ring selection.

-40° to 186°F

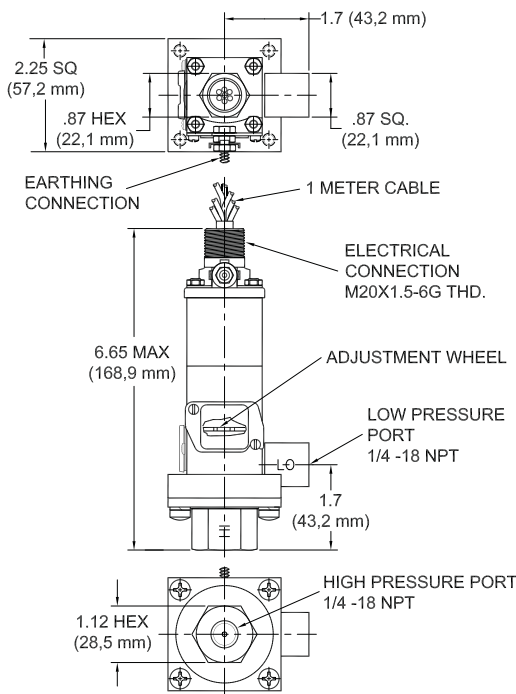
-40° to 86°C

STANDARD FEATURES:

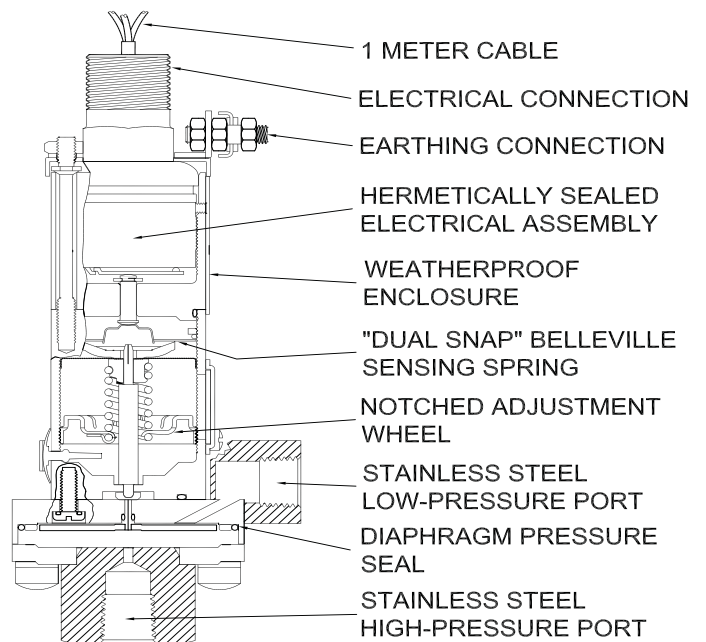
- Hermetically Sealed Electrical Assembly
- 316 SST Electrical Assembly
- 300 Series SST Housing
- M20 Electrical Connection
- ATEX - Baseefa Certified
- CE Mark
- NEMA: 4, 7, 9,13 / IP66 & 67
- NACE MR0175 / ISO 15156



INSTALLATION DRAWING



DESIGN PRINCIPLES



SERIES 6905DZE

FIELD SETTING: Loosen access cover. Adjust adjustment screw using screwdriver slot as illustrated, then attach to a variable pressure source with a suitable gage, and check that the circuit continuity operates at the pressures desired. Clockwise to increase settings. Counterclockwise to decrease setting.

NOTE: DO NOT USE ELECTRICAL HEX FOR TORQUING.



CustomControlSensors

Hazardous Areas Adjustable Pressure Switch

6905DZE* - Diaphragm Sensor

OPERATING AND ORDERING DATA

SERIES 6905DZE*-7042	WETTED PARTS: 1/4"-18 NPT STAINLESS STEEL PRESSURE PORT, POLYIMIDE DIAPHRAGM, VITON O-RING						
	ADJUSTABLE SET POINT RANGE PSID (BAR)		APPROX. DEAD BAND PSI (BAR)	SYSTEM PRESSURE PSIG (BAR)	PROOF PRESSURE PSIG (BAR)		
	INCREASING PRESSURE	DECREASING PRESSURE			BOTH PORTS SIMULT.	HIGH OVER LOW LOW OVER HIGH	HIGH
6905DZE*8-7042	1.5-18 (0.103-1.24)	0.5-17 (0.03-1.17)	1 (0.069)	400 (28)	750 (52)	750 (52)	400 (28)
6905DZE*10-7042	6-75 (0.414-5.2)	2-71 (0.14-4.9)	4 (0.28)				

HOW TO ORDER

Follow these steps to build your part number:

1. Specify the series based on your required set point, range, dead band, system pressure and proof pressure.
2. Add desired options model code letter.
3. Add the applicable standard suffix number.

(Ex: 6905DZEM8-7042)

PRESSURE CONVERSION

1 BAR = 14.5 PSI
1 kPa = 0.145 PSI

OPTIONAL STANDARD MODIFIED SUFFIXES

7043: Gold Contacts and Stainless Steel Body (-7042)

ELECTRICAL ENCLOSURE CERTIFICATIONS

* ATEX - Certificate No. Baseefa03ATEX0700X. Baseefa certified for potentially explosive atmospheres electrical assembly series. In compliance with EN60079-0:2006, EN 60079-1:2007, EN 61241-0:2006, EN 61241-1:2004.

ELECTRICAL CHARACTERISTICS

RATING OF SWITCH ELEMENT

VOLTS	AMPERES	
	SPDT	DPDT "M"
	Res.	Res.
125 AC - 50/60 Hz	11	11
250 AC - 50/60 Hz	11	11
30 DC	5	5
125 DC	.5	.5
*125 AC - 50/60 Hz	1 max	1 max
*30 DC	1 max	1 max

*Gold Contacts -7043 Suffix

OPTIONS MODEL CODES

M: DPDT Electrical

CERTIFICATIONS

Consult CCS website for complete certification and approval listing.

Note: Additional modified standard suffixes are available, consult CCS sales department or CCS Representative.

SCHEMATIC AND WIRING CODE

