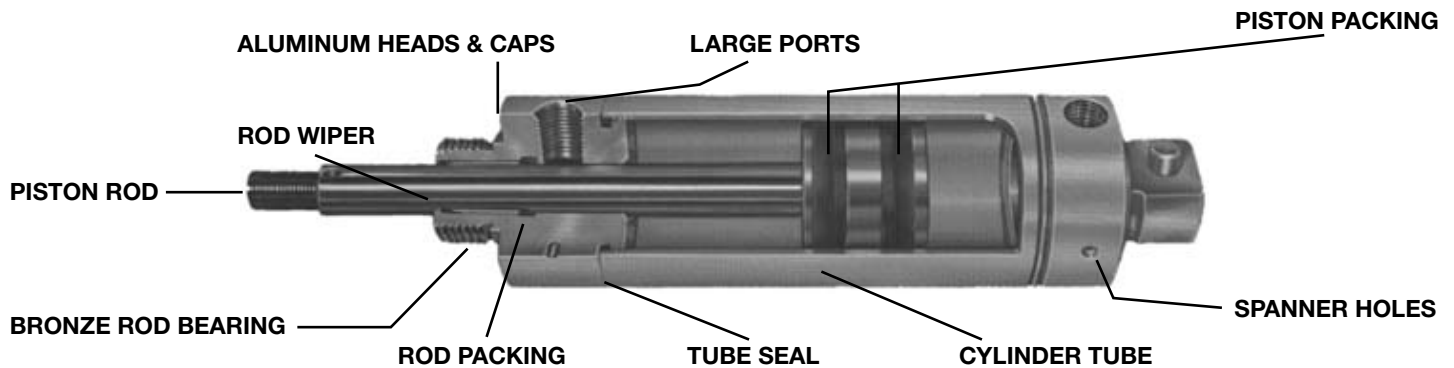


# SUPERIOR CONSTRUCTION FEATURES

SERIES "B" AIR CYLINDERS, 1/2" THRU 2" BORE SIZE  
MAXIMUM PSI 250



**PISTON PACKING** – "U" cup seal provides positive sealing, low friction and long life.

**TUBE SEAL** – Synthetic "O" rings for positive sealing.

Repairable Industrial Quality Cylinders

INTERCHANGEABLE WITH.....

(Bimba®, Humphrey®, Clippard® and others)

## COMMON INFORMATION - AIR CYLINDER & HYDRAULIC CYLINDERS

**LARGE PORTS** – Precision dryseal ports permit maximum flow.

**ROD PACKING** – "U" cup seals for zero leakage, low friction and long life.

**SPANNER HOLES** – Supplied for ease in assembly and disassembly of the cylinder.

**PISTON ROD** – Machined from turned ground and polished high tensile strength steel.

**ROD WIPER** – Protects piston rod, rod bearing and rod packing, supplied on all models P, PC, PS, D, DP, DS and DR.

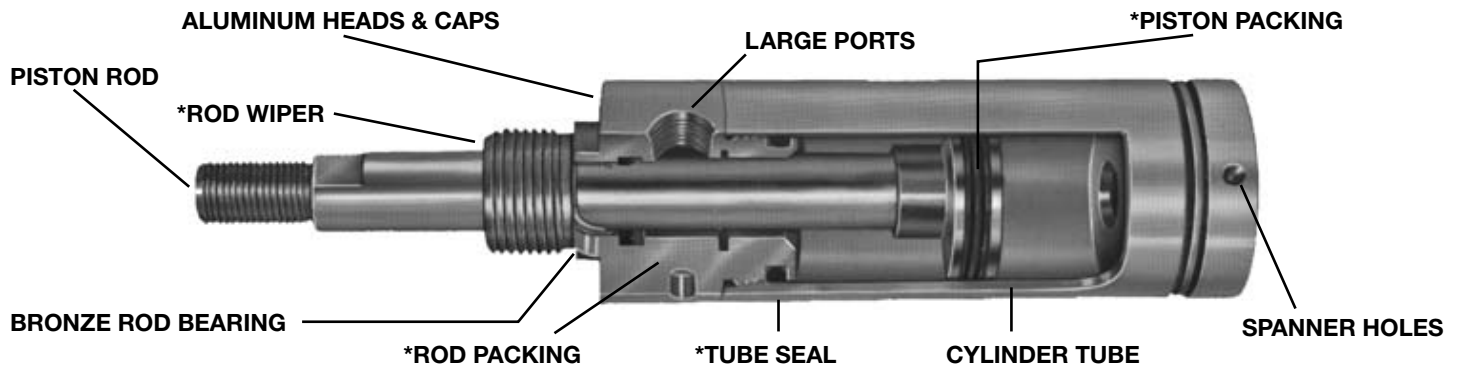
**CYLINDER TUBE** – Hard coated I.D., heavy wall aluminum tube (an industry standard) is precision machined for perfect fit and alignment.

**BRONZE ROD BEARING** – Extra long, bronze rod bearing is accurately pressed and reamed at assembly to insure perfect alignment and maximum support of piston rod. Supplied on all cylinders.

**ALUMINUM HEADS & CAP** – Machined to close tolerance for perfect alignment. Threaded construction assures maximum strength and reliability.

## SERIES "B" HYDRAULIC CYLINDERS

1 1/8, 1 1/2 AND 2" BORE SIZE IN "D", "DP" AND "DS" MODELS  
800 PSI MAX PRESSURE



\* Polyurethane Rod Packing

\* Polyurethane Rod Wiper

**TUBE SEAL** – Located to provide "O" hoop stress on tube threads.

**PISTON PACKING** – High pressure "T" seal provides positive sealing over long life.

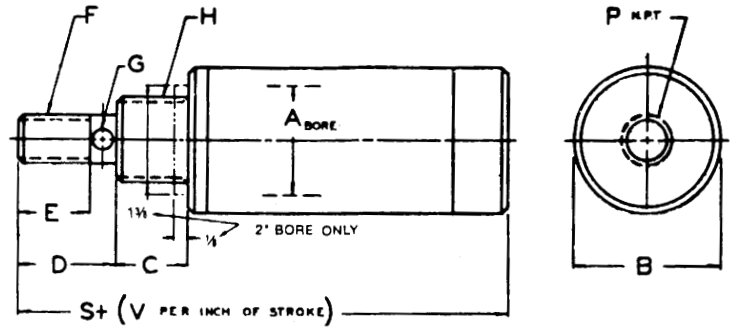
# SINGLE ACTING CYLINDERS

## CHICAGO CYLINDER CORP.

### MODELS S

**NOSE MOUNT  
PUSH TYPE ROD RETRACTED**

Stock Stroke Lengths In  
1" Increments to 4"



MODEL	ROD DIA.	A	B	C	D	E	F	G	H	P	S	V
S-4	.19	.50	.64	.31	.50	.50	10-32	—	.38-24	10-32	1.31	1.88
S-6	.25	.75	.94	.44	.50	.50	.25-28	—	.50-20	.12	2.00	1.68
S-9	.31	1.12	1.31	.50	.62	.50	.31-24	—	.62-18	.12	2.56	1.56
S-12	.44	1.50	1.75	.62	1.00	.75	.44-20	—	.75-16	.12	3.12	1.68
S-16	.62	2.00	2.25	.81	1.25	.88	.50-20	.19	1.25-12	.25	NOTED BELOW	

1" INCH STROKE = 6.25

2" INCH STROKE = 8.25

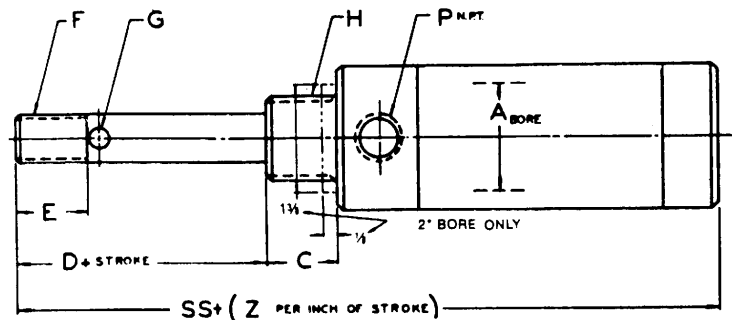
3" INCH STROKE = 9.50

4" INCH STROKE = 12.50

### MODELS P

**NOSE MOUNT  
PULL TYPE ROD EXTENDED**

Stock Stroke Lengths In  
1" Increments to 4"



MODEL	ROD DIA.	A	C	D	E	F	G	H	P	SS	Z
P-4	.19	.50	.38	.50	.50	10-32	—	.44-20	10-32	2.45	2.89
P-6	.25	.75	.50	.50	.50	.25-28	—	.62-18	.12	2.81	2.68
P-9	.31	1.12	.50	.62	.50	.31-24	—	.62-18	.12	3.12	2.81
P-12	.44	1.50	.62	1.50	*.75	.44-20	—	.75-16	.12	4.44	3.00
P-16	.62	2.00	.81	1.25	.88	.50-20	.19	1.25-12	.25	NOTED BELOW	

1" INCH STROKE = 8.00

2" INCH STROKE = 11.00

3" INCH STROKE = 13.25

4" INCH STROKE = 17.25

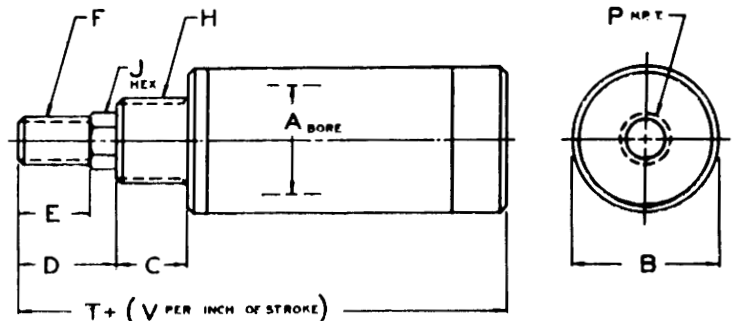
\*1.25 "E" DIMENSION OPTIONAL ON P & PC MODELS. SPECIFY SEPARATELY.

### MODELS N

**NOSE MOUNT  
PUSH TYPE ROD RETRACTED  
Non-Rotating Rod**

Stock Stroke Lengths In  
1" Increments to 4"

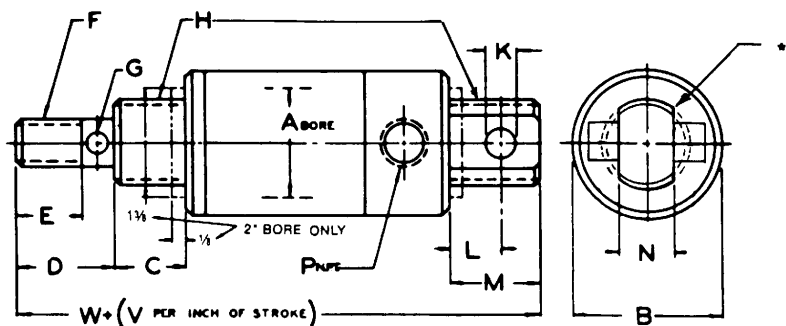
S.S. Rod Standard



MODEL	ROD DIA.	A	B	C	D	E	F	J	H	P	T	V
N-4	.19	.50	.64	.31	.75	.50	10-32	.19	.38-24	10-32	2.06	1.88
N-6	.25	.75	.94	.44	.75	.50	.25-28	.25	.50-20	.12	2.25	1.68
N-9	.31	1.12	1.31	.50	.75	.50	.31-24	.31	.62-18	.12	2.68	1.56
N-12	.44	1.50	1.75	.62	1.25	1.00	.44-20	.44	.75-16	.12	3.38	1.68

# SINGLE ACTING CYLINDERS

CHICAGO CYLINDER CORP.



## MODELS SC & SS

PIVOT MOUNT  
PUSH TYPE ROD RETRACTED

Stock Stroke Lengths In  
1" Increments to 4"

- \* SS = Full Thread "H" Dim.
- \* SC = Pivot Ear "N" Dim.

SC MODELS ONLY  
EXCEPT 2" BORE

MODEL	ROD DIA.	A	B	C	D	E	F	G	H*	K	L	M	N	P	V	W
SC-4	.19	.50	.64	.31	.50	.50	10-32	—	.38-24	.16	.25	.50	.31	10-32	1.88	2.50
SC-6	.25	.75	.94	.44	.50	.50	.25-28	—	.50-20	.25	.31	.62	.38	.12	1.68	3.06
SC-9	.31	1.12	1.31	.50	.62	.50	.31-24	—	.62-18	.25	.31	.62	.38	.12	1.56	3.44
SC 12	.44	1.50	1.75	.62	1.00	.75	.44-20	—	.75-16	.38	.50	.88	.62	.12	1.68	4.19
SC-16	.62	2.00	2.25	.81	1.25	.88	.50-20	.19	1.25-12	.38	.50	1.00	.75	.25	NOTED BELOW	

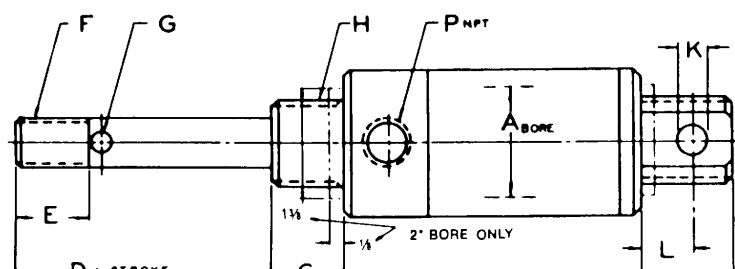
1" INCH STROKE = 7.68

2" INCH STROKE = 9.68

3" INCH STROKE = 10.88

4" INCH STROKE = 13.88

\*SS MODELS 1/2 AND 3/4 BORE CAP THREAD 7/16-20 AND 5/8-18 RESPECTIVELY



## MODELS PC & PS

PIVOT MOUNT  
PULL TYPE ROD EXTENDED

Stock Stroke Lengths In  
1" Increments to 4"

- \* PS = Full Thread "H" Dim.
- \* PC = Pivot Ear "N" Dim.

PC MODELS ONLY  
EXCEPT 2" BORE

MODEL	ROD DIA.	A	C	D	E	G	F	H*	K	L	M	P	X	Z
PC-4	.19	.50	.38	.50	.50	—	10-32	.44-20	.16	.25	.50	10-32	2.62	2.88
PC-6	.25	.75	.50	.50	.50	—	.25-28	.62-18	.25	.31	.62	.12	3.22	2.69
PC-9	.31	1.12	.50	.62	.50	—	.31-24	.62-18	.25	.31	.62	.12	3.56	2.81
PC-12	.44	1.50	.62	1.50	.75	—	.44-20	.75-16	.38	.50	.88	.12	5.50	3.00
PC-16	.62	2.00	.81	1.25	.88	.19	.50-20	1.25-12	.38	.56	1.00	.25	NOTED BELOW	

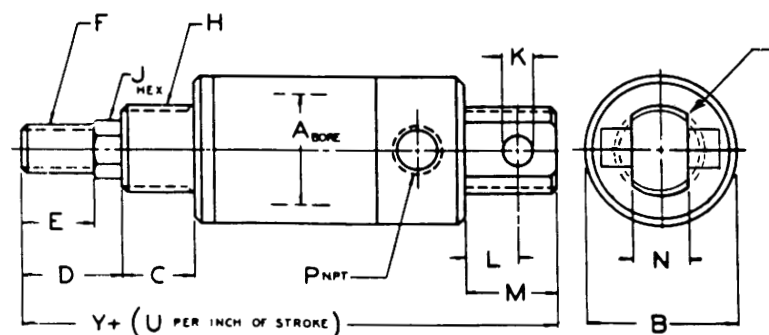
1" INCH STROKE = 9.38

2" INCH STROKE = 12.38

3" INCH STROKE = 14.62

4" INCH STROKE = 18.62

\*PC MODELS FRONT HEAD ONLY EXCEPT 2" BORE. "B" & "N" DIMENSIONS SAME AS SC MODELS



## MODELS NC & NS

PIVOT MOUNT  
PUSH TYPE ROD RETRACTED  
Non-Rotating Rod

Stock Stroke Lengths In  
1" Increments to 4"

- \* NS = Full Thread "H" Dim.
- \* NC = Pivot Ear "N" Dim.

S.S. Rod Standard

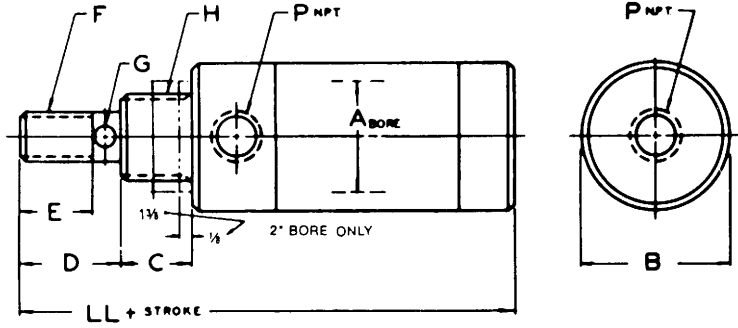
NC MODELS ONLY

MODEL	ROD DIA.	A	B	C	D	E	F	J	H*	K	L	M	N	P	U	Y
NC-4	.19	.50	.64	.31	.75	.50	10-32	.19	.38-24	.16	.25	.50	.31	10-32	1.88	2.75
NC-6	.25	.75	.94	.44	.75	.50	.25-28	.25	.50-20	.25	.31	.62	.38	.12	1.68	3.31
NC-9	.31	1.12	1.31	.50	.75	.50	.31-24	.31	.62-18	.25	.31	.62	.38	.12	1.56	3.56
NC-12	.44	1.50	1.75	.62	1.25	1.00	.44-20	.44	.75-16	.38	.50	.88	.62	.12	1.68	4.44

\*NS MODELS 1/2 AND 3/4 BORE CAP THREAD 7/16-20 AND 5/8-18 RESPECTIVELY

# DOUBLE ACTING

## CHICAGO CYLINDER CORP.



### MODELS D

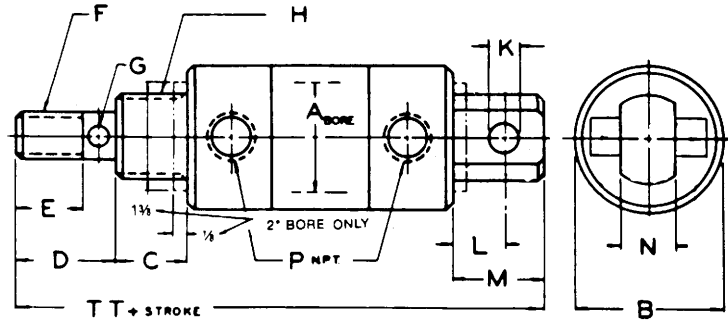
#### NOSE MOUNT DOUBLE ACTING

Stock Stroke Lengths  
1" Increments to 12"  
Maximum Stroke 120"

Available for Hydraulic Service

Starting at 1 1/8 Bore

MODEL	ROD DIA.	A	B	C	D	E	F	G	H	P	LL
D-4	.19	.50	.64	.38	.50	.50	10-32	—	.44-20	10-32	2.62
D-6	.25	.75	.94	.50	.50	.50	.25-28	—	.62-18	.12	3.47
D-9	.31	1.12	1.31	.50	.62	.50	.31-24	—	.62-18	.12	3.75
D-12	.44	1.50	1.75	.62	1.00	.75	.44-20	—	.75-16	.12	4.44
D-16	.62	2.00	2.25	.81	1.25	.88	.50-20	.19	1.25-12	.25	5.56



### MODELS DP

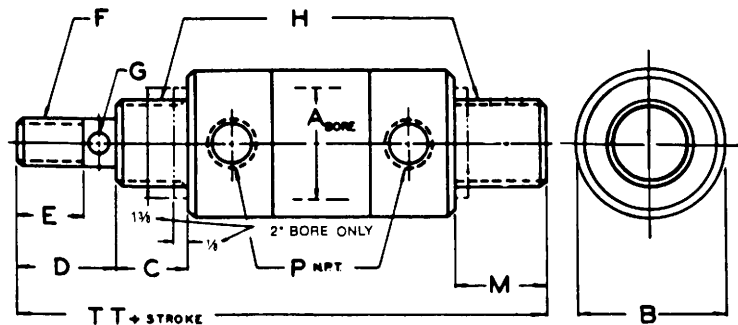
#### PIVOT MOUNT DOUBLE ACTING

Stock Stroke Lengths  
1" Increments to 12"  
Maximum Stroke 120"

Available for Hydraulic Service

Starting at 1 1/8 Bore

MODEL	ROD DIA.	A	B	C	D	E	F	G	H	K	L	M	N	P	TT
DP-4	.19	.50	.64	.38	.50	.50	10-32	—	.44-20	.16	.25	.50	.31	10-32	3.31
DP-6	.25	.75	.94	.50	.50	.50	.25-28	—	.62-18	.25	.31	.62	.38	.12	4.53
DP-9	.31	1.12	1.31	.50	.62	.50	.31-24	—	.62-18	.25	.31	.62	.38	.12	4.62
DP-12	.44	1.50	1.75	.62	1.00	.75	.44-20	—	.75-16	.38	.50	.88	.62	.12	5.50
DP-16	.62	2.00	2.25	.81	1.25	.88	.50-20	.19	1.25-12	.38	.56	1.00	.75	.25	6.94



### MODELS DS

#### STUD MOUNT DOUBLE ACTING

Stock Stroke Lengths  
1" Increments to 12"  
Maximum Stroke 120"

Available for Hydraulic Service

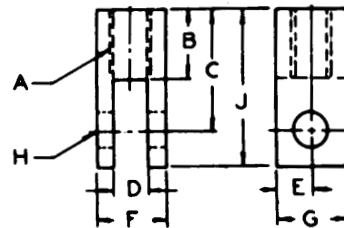
Starting at 1 1/8 Bore

MODEL	ROD DIA.	A	B	C	D	E	F	G	H	M	P	TT
DS-4	.19	.50	.64	.38	.50	.50	10-32	—	.44-20	.50	10-32	3.31
DS-6	.25	.75	.94	.50	.50	.50	.25-28	—	.62-18	.62	.12	4.53
DS-9	.31	1.12	1.31	.50	.62	.50	.31-24	—	.62-18	.62	.12	4.62
DS-12	.44	1.50	1.75	.62	1.00	.75	.44-20	—	.75-16	.88	.12	5.50
DS-16	.62	2.00	2.25	.81	1.25	.88	.50-20	.19	1.25-12	1.00	.25	6.94

# ACCESSORIES

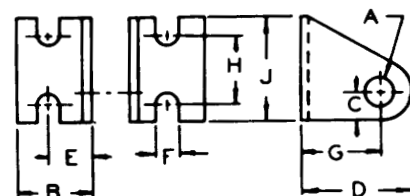
## Clevis SUPPLIED WITH CLEVIS PIN & E-RINGS

MODEL	BORE	A	B	C	D	E	F	G	H	J
C-.50	.50	10-32	.38	.75	.19	.19	.38	.38	.19	.94
C-1	.75	.25-28	.50	.94	.25	.25	.50	.50	.25	1.19
C-2	1.12	.31-24	.50	.94	.25	.25	.50	.50	.25	1.19
C-3	1.50	.44-20	.75	1.31	.38	.38	.75	.75	.38	1.68
C-4	2.00	.50-20	.75	1.31	.38	.38	.75	.75	.38	1.68



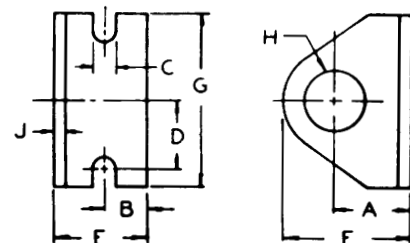
## Pivot Mount SUPPLIED WITH PIVOT PINS

MODEL	BORE	A	B	C	D	E	F	G	H	J
PM-50	.50	.16	.50	.20	.77	.28	.19	.56	.50	.75
PM-1	.75&1.12	.25	.81	.31	1.19	.44	.27	.88	.75	1.12
PM-2	1.50	.38	1.00	.38	1.75	.62	.27	1.38	1.00	1.50
PM-3	2.00	.38	1.00	.38	1.75	.68	.27	1.38	1.00	1.50



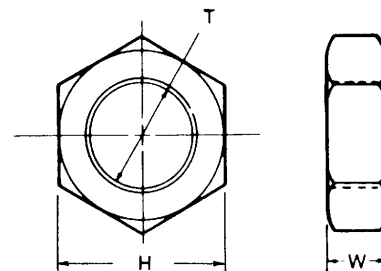
## Foot Mount SUPPLIED WITH NUT & TOOTH LOCK WASHER

MODEL	BORE	A	B	C	D	E	F	G	H	J
FM-50	.50	.56	.31	.19	.50	.62	.88	1.38	.38	.07
FM-55	.50	.56	.31	.19	.50	.62	.94	1.38	.44	.07
FM-1	.75	.68	.31	.19	.62	.75	1.09	1.62	.50	.11
FM-2	.75&1.12	.81	.44	.27	.75	1.00	1.38	1.88	.62	.12
FM-3	1.50	1.00	.75	.28	.94	1.50	1.75	2.50	.75	.12
FM-4	2.00	1.50	.62	.34	1.12	1.62	2.50	3.12	1.38	.25



## Mounting Nuts & Tooth Lock Washers

MOUNTING NUT	BORE	H	T	W
NMN 50	.50	.562	3/8-24	7/32
NMN 55	.50	.687	7/16-20	1/4
NMN 1	.75	.750	1/2-20	5/16
NMN 2	.75&1.12	.937	5/8-18	3/8
NMN 3	1.50	1.12	3/4-16	7/16
NMN 4	2.00	1.88	1 1/4-12	3/8



## FOR DISASSEMBLY AND REPAIR

### Spanner Wrench



Model SW-1 for .75 & 1.12 bores  
 Model SW-2 for 1.50 & 2.00 bores

**PISTON ROD JAM NUTS SUPPLIED ON ALL CYLINDERS.**

### PACKING REPAIR KITS

TO ORDER PACKING REPAIR KIT SPECIFY MODEL BORE SIZE AND HOW MANY ARE REQUIRED.

FOR TOOL TO INSTALL ROD PACKING AND PUSH ON PACKING RETAINER CONSULT FACTORY OR DISTRIBUTOR.