



## BRP SERIES (Bimba® Interchange)

### FEATURES

- Body: Black Hard Coat Anodized 2011 Aluminum Closely Controlled Surface Finish. 16-24 Micro Inch.
- Head: Up to 2" Bore Machined from Brass Stock Over 2" Bore Anodized 2011 Aluminum with Inserted Bushing
- Piston: 2011 Aluminum Over 2" Bore Additional Nylon Bearing in BRPSR Models
- Rod: Stainless 303 Steel
- Seals and Packings: Piston & Body Seals Buna N O-Rings Rod Packing: Buna N Block-V
- Pressure Range: Up to 250 PSI
- Temperature Range: -40 to 300°



## FRP SERIES (Fabco® Interchange)

### FEATURES

- Body: Black Hard Coat Anodized 2011 Aluminum Closely Controlled Surface Finish. 16-24 Micro Inch.
- Head: Up to 2" Bore Machined from Brass Stock Over 2" Bore Anodized 2011 Aluminum with Inserted Bushing
- Piston: 2011 Aluminum Over 2" Bore Additional Nylon Bearing in FRPSR Models
- Rod: Stainless 303 Steel
- Seals and Packings: Piston & Body Seals Buna N O-Rings Rod Packing: Buna N Block-V
- Pressure Range: Up to 250 PSI
- Temperature Range: -40 to 300°

### BRP Series

Reduced Profile Cylinders

#### MOUNTING STYLES:

- Pivot Mount (see Drawing): Specify 1
- Pivot Mount 90° to Ports: Specify 1N
- Threaded Mounting Holes, Both Ends, Thread Size: D (see Drawing): Specify 3
- Screw Clearance Hole front for D SHCS (see Drawing): Specify 4F
- Screw Clearance Hole Rear for D SHCS: Specify 4R

#### OTHER OPTIONS:

- Coarse Female Rod Thread: Specify CFT (see Drawing)
- Male Rod End Fine Thread: Specify MT
- Male Rod End Coarse Thread: Specify CMT
- Non Threaded Rod, No Wrench Flats: Specify NT

#### HOW TO SELECT AND ORDER BRP CYLINDERS:

MODEL	BORE SIZE	STROKE LENGTH	MOUNTING STYLES SEE ABOVE
BRPSR*	075 = 3/4"      250 = 2 1/2"		
OR	106 = 1 1/16"    300 = 3"		
BRPDR	150 = 1 1/2"      400 = 4"		
	200 = 2"		

OTHER  
OPTIONS  
(SEE ABOVE)

BRPDR-250-0.625-1N-CMT

Example Illustrated Above:

Reduced Profile Cylinder, Double Acting, Double End, 2 1/2" Bore, 5/8" Stroke, Pivot Mount, 90° Between Ports and Pivot Pin, Male Rod End with Coarse Thread

\*SR = Single Rod

DR = Double Rod

### FRP Series

Reduced Profile Cylinders

#### MOUNTING STYLES:

- Pivot Mount (see Drawing) Pivot Pin Axis Parallel to Port Axis: Specify 1
- Pivot Mount, Pivot Pin Axis 90° to Port Axis: Specify 1N

#### OTHER OPTIONS:

- Coarse Female Rod Thread: Specify CFT (see Drawing)
- Male Rod End Fine Thread: Specify MT
- Male Rod End Coarse Thread: Specify CMT
- Non Threaded Rod, No Wrench Flats: Specify NT

#### HOW TO SELECT AND ORDER FRP CYLINDERS:

MODEL	BORE SIZE	STROKE LENGTH	MOUNTING STYLES SEE ABOVE
FRPSR*	075 = 3/4"      250 = 2 1/2"		
OR	112 = 1 1/8"      300 = 3"		
FRPDR	162 = 1 5/8"      400 = 4"		
	200 = 2"		

MALE  
ROD END

FRPSR-112-0.187-1-MT

Example Illustrated Above:

Reduced Profile Cylinder, Double Acting, Single Rod End, 1 1/8" Bore, 3/16" Stroke, Pivot Axis Parallel to Port Axis, Male Rod End

\*SR = Single Rod

DR = Double Rod

# BRP SERIES

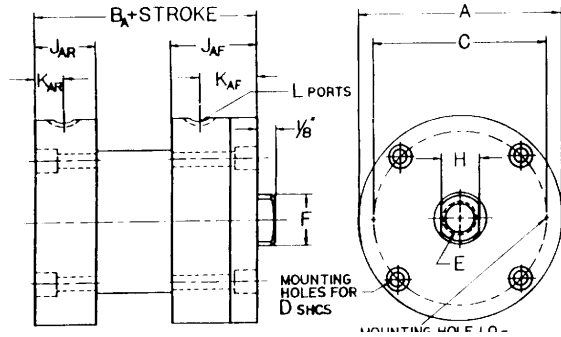
## REDUCED PROFILE CYLINDERS

BORE SIZES: FROM 3/4" TO 4"

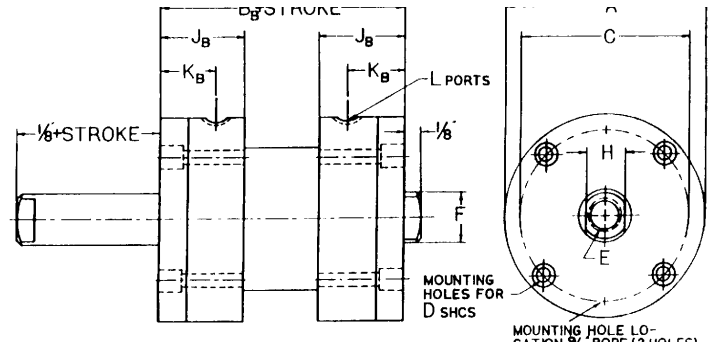
STANDARD STROKE LENGTHS: 0.125", 0.250", 0.375", 0.500", 0.625", 0.750", 0.875", 1.000", 1.250", 1.500", 1.750", 2.000", 2.500", 3.000", 4.000"

TWO STANDARD MODELS AVAILABLE:

MODEL BRPSR:  
DOUBLE ACTING, SINGLE ROD END

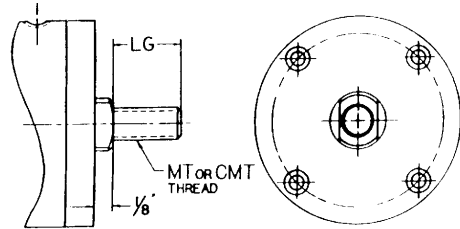


MODEL BRPDR:  
DOUBLE ACTING, DOUBLE ROD END



NOT AVAILABLE IN 9/16" BORE

MALE ROD END (OPTION)

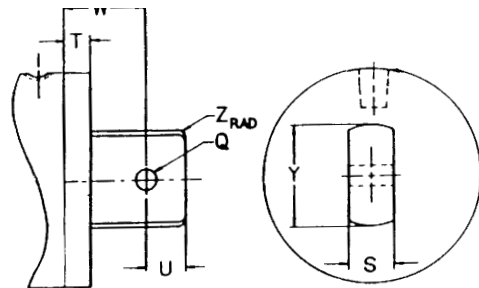


CYLINDER AND ACCESSORY DIMENSIONS

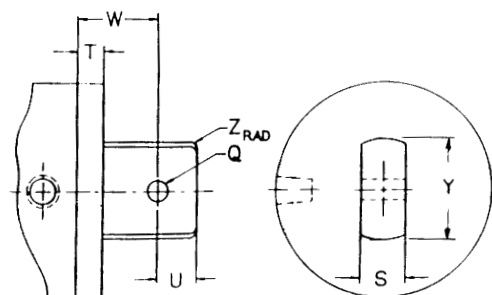
BORE SIZE	3/4	1 1/16	1 1/2	2	2 1/2	3	4
A	1 1/2	2	2 5/8	3 1/8	3 3/4	4 1/4	5 1/2
B <sub>A</sub>	9/16	7/8	7/8	15/16	13/16	1 1/4	1 9/16
B <sub>B</sub>	1 1/16	15/16	1	1 1/16	15/16	1 3/8	1 11/16
C	1 7/32	1 11/16	2 3/16	2 11/16	3 1/4	3 25/32	4 15/16
D	#6-32	#6-32	#10-24	#10-24	1/4-20	1/4-20	5/16-18
E	#10-32	5/16-24	3/8-24	1/2-20	1/2-20	5/8-18	3/4-16
E <sub>DEPTH</sub>	.460	.700	.700	.700	.700	.700	.800
F	5/16	1/2	5/8	3/4	3/4	7/8	1
H	1/4	7/16	1/2	5/8	5/8	3/4	7/8
J <sub>AF</sub>	.507	.875	.875	.875	1.031	1.031	1.406
J <sub>AR</sub>	.320	.500	.500	.500	.656	.656	.844
J <sub>B</sub>	.479	.719	.750	.781	.968	.968	1.312
K <sub>AF</sub>	.337	.625	.625	.625	.703	.703	.703
K <sub>AR</sub>	.160	.250	.250	.250	.328	.328	.422
K <sub>B</sub>	.309	.469	.500	.531	.640	.640	.890
L	#10-32	1/8NPTF	1/8NPTF	1/8NPTF	1/4NPT	1/4NPT	3/8NPTF
Q	3/16	3/16	3/8	3/8	3/8	5/8	5/8
S	3/8	3/8	3/4	3/4	3/4	1	1
T	3/16	1/4	1/4	5/16	3/8	3/8	7/16
U	1/4	1/4	7/16	7/16	7/16	9/16	9/16
W	3/4	13/16	1 3/16	1 1/4	1 5/16	1 11/16	1 3/4
Y	3/4	3/4	1 3/8	1 3/8	1 3/8	1 3/8	1 3/8
Z	3/16	3/16	3/8	3/8	3/8	3/8	3/8
LG	3/8	1/2	1/2	5/8	5/8	3/4	3/4
CMT	#10-24	5/16-18	3/8-16	1/2-13	1/2-13	5/8-11	3/4-10
*MT	#10-32	5/16-24	3/8-24	1/2-20	1/2-20	5/8-18	3/4-16

N.A.: NOT AVAILABLE  
\* NORMAL OPTION

PIVOT MOUNT (OPTION) - IN -



PIVOT MOUNT (OPTION) - I -



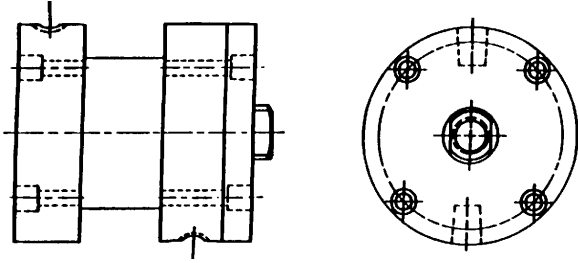
# BRP SERIES

## REDUCED PROFILE CYLINDERS

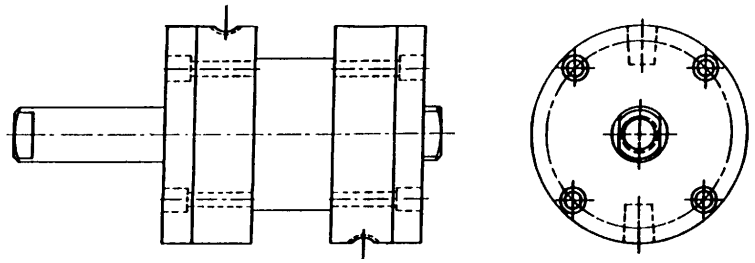
### PORT LOCATION

Because of size constraints on overall lengths, ports on certain short stroke cylinders are required to be placed 180° opposite one another. The charts below indicate which bores and strokes are affected. All other bores and strokes have the ports in line with each other.

MODEL BRPSR:  
DOUBLE ACTING, SINGLE ROD END



MODEL BRPDR:  
DOUBLE ACTING, DOUBLE ROD END



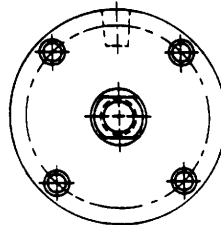
MODEL BRPSR

BORE	3/4	1 1/16	1 1/2	2	2 1/2	3	4
STROKE	.125 thru .250	.125 thru .625	.125 thru .625	.125 thru .500	.125 thru .500	.125 thru .375	.125 thru .625

MODEL BRPDR

BORE	3/4	1 1/16	1 1/2	2	2 1/2	3	4
STROKE	.125 thru .250	.125 thru .625	.125 thru .625	.125 thru .625	.125 thru .625	.125 thru .500	.125 thru .875

### MOUNTING HOLE LOCATION



BORE	3/4	1 1/16	1 1/2	2	2 1/2	3	4
------	-----	--------	-------	---	-------	---	---