

Humphrey[®]

Super Quick Exhaust Valves



Humphrey's Super Quick Exhaust valves feature a special molded shuttle designed especially for quick response, high flow and long cycle life.

The universal design of the valve allows it to be used as a quick exhaust valve, a shuttle valve, or plug the exhaust port and use it as a check valve.

With the molded shuttle design, the Super Quick Exhaust Valves have an operating range as low as 1 psi to 150 psi.

Specifications

Media:

Compressed Air (Consult factory for others)

Operating Speeds:

Up to 600 CPM

Materials:

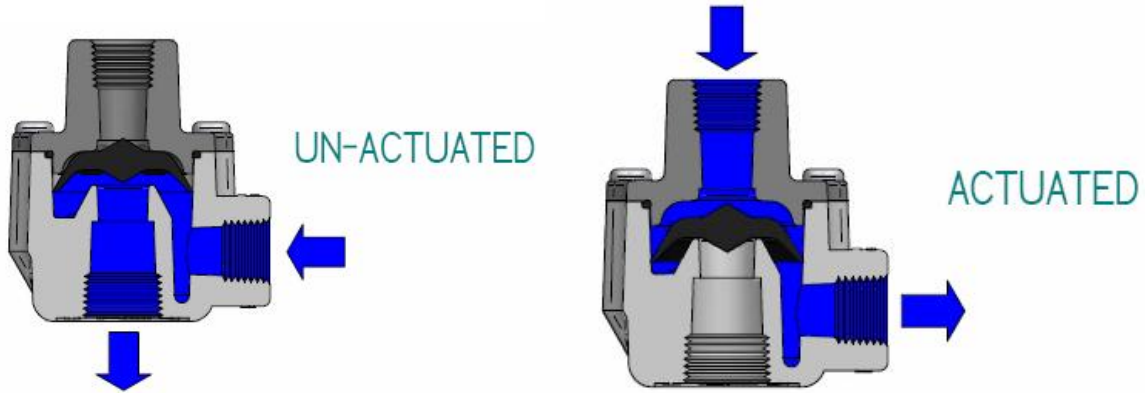
Zinc & Aluminum Die Cast, Zinc Plated Steel Fasteners, Buna N, Polyurethane

Temperature Range:

-25°F to 180°F (-31.7°C to 82.2°C)

Lubrication:

Not Required



Model	Port Size			PSI/BARS		Cv	Weight	
	IN	OUT	EXH	MIN	MAX		LBS	KGS
SQE1	1/8"	1/8"	1/4"	4/3	150/10.7	0.72	0.17	0.08
SQE2	1/4"	1/4"	1/4"	4/3	150/10.7	0.97	0.16	0.07
QE2	1/4"	1/4"	3/8"	3/2	150/10.7	1.44	0.31	0.14
QE3	3/8"	3/8"	3/8"	2/14	150/10.7	1.48	0.29	0.13
QE4	1/2"	1/2"	3/4"	1/07	150/10.7	2.09	0.99	0.45
QE5	3/4"	3/4"	3/4"	1/07	150/10.7	4.1	0.93	0.42

Model	CFM/LPM 30 PSI/2.1 Bars	CFM/LPM 50 PSI/3.5 Bars	CFM/LPM 80 PSI/5.5 Bars	CFM/LPM 100 PSI/7.0 Bars	CFM/LPM 125 PSI/8.6 Bars
SQE1	22.5/636.8	33.5/948.1	51/1443.3	63/1783	75/2122.5
SQE2	32/905.6	47/1330	70/1981	85/2406	104/2943.2
QE2	45/1274.0	65/1840	96/2716.8	120/3396	150/4245
QE3	55/1557.0	80/2264	125/3537.5	155/4387	190/5377
QE4	Consult Factory				
QE5					

Humphrey Products Company
 5070 East N Avenue
 Kalamazoo, MI 49048
 Phone: (269) 381-5500
 Fax: (269) 381-4113
www.humphrey-products.com

Date Created:
8/1/2007

Catalog P/N
Quick Exhaust Flyer-1