

# INLINE FLOW SIGHT

Compact design inline flow sights may be used in either horizontal or vertical pipe runs to indicate flow. May also be used to check clarity of fluid. Machined from solid brass bar stock with large sight windows. For higher pressures and modifications, see **F150** series on bulletin **F447-1A**.

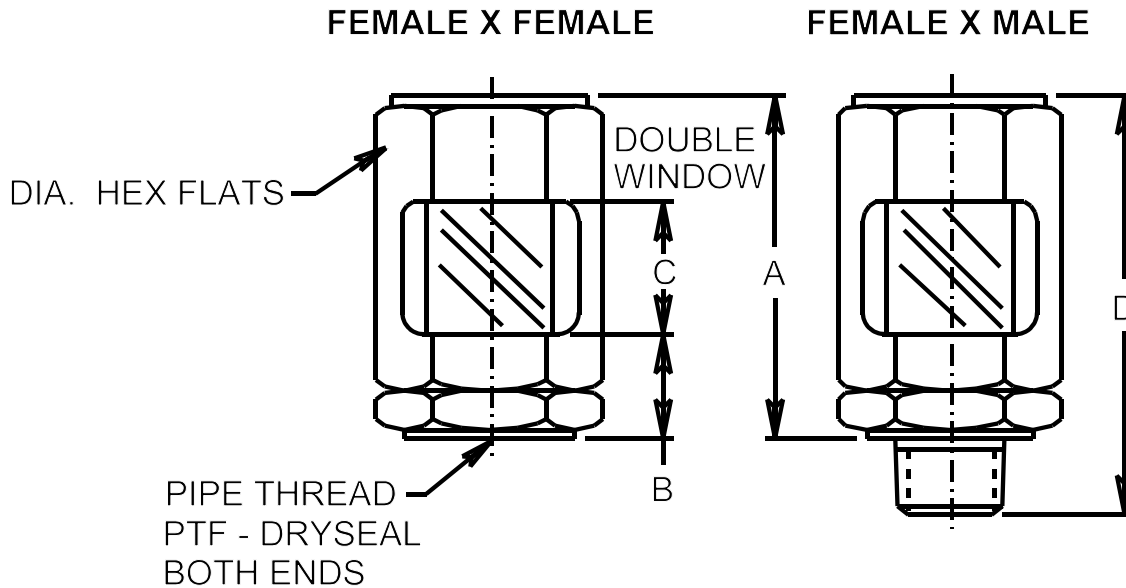
**CAUTION:** Scratched glass significantly reduces pressure rating.

## STANDARD MATERIALS:

- Brass construction
- Buna N seals
- Borosilicate sight

## OPERATING CONDITIONS:

- Maximum working temperature up to 200°F (93.3°C)
- Maximum working pressure up to 50 PSI (345 kPa) at 70°F (21.1°C)
- No corrosion



CATALOG NUMBER		PIPE THREAD	HEX FLATS INCHES (mm)	A INCHES (mm)	B INCHES (mm)	C INCHES (mm)	D INCHES (mm)
FEMALE X FEMALE	FEMALE X MALE						
F52	F62	1/4-18	.81 (20.57)	2.41 (61.21)	.66 (16.76)	1.06 (26.92)	2.91 (73.91)
F53	-	3/8-18	1.12 (28.45)	2.38 (60.45)	.69 (17.53)	1.12 (28.45)	2.88 (73.15)
F56	-	1-11 1/2	2.50 (63.50)	3.50 (88.90)	.88 (22.35)	1.75 (44.45)	4.31 (109.47)
F57	-	1 1/4-11 1/2	2.50 (63.50)	3.50 (88.90)	.88 (22.35)	1.75 (44.45)	4.34 (110.24)



## LUBE DEVICES, INC.

1864 NAGLE AVE., P.O. BOX 1810, MANITOWOC, WI 54221-1810  
 PHONE: (920) 682-6877                      FAX: (920) 684-7210  
 E-MAIL: sales@lubedevices.com              WEBSITE: www.lubedevices.com

## INLINE FLOW SIGHT BULLETIN F447

11/03

# INLINE FLOW SIGHT

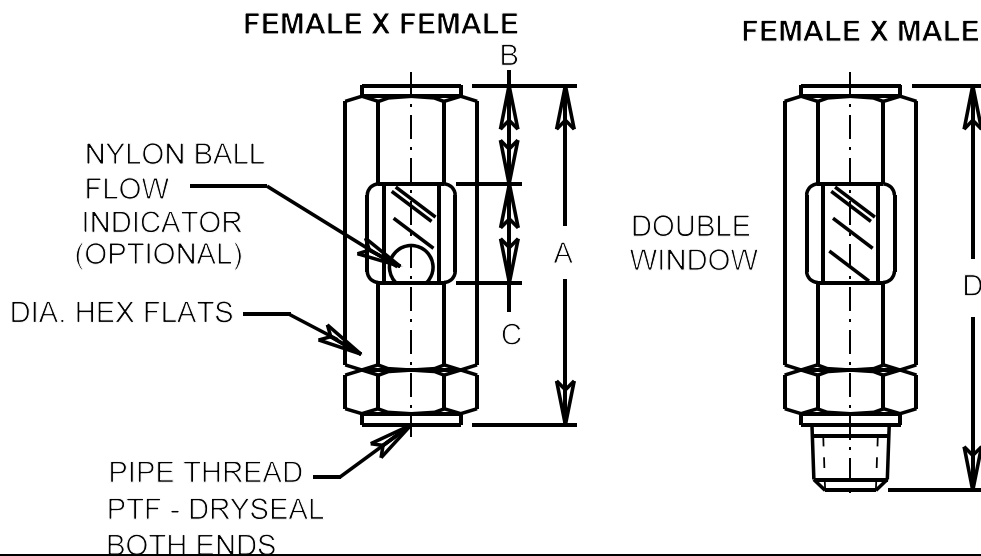
Inline flow sights can be used in either vertical or horizontal fluid lines to observe fluid flow, clarity or condition of medium. A ball float can be supplied to aid observation of flow of dark fluids or fluids in dimly lit conditions. Add -01 (nylon ball) after catalog number. Modifications of body seals and ball material can be requested as made to order, minimum order quantity may be required - **Please specify.**  
**CAUTION:** Scratched glass significantly reduces pressure rating.

## STANDARD FEATURES:

- Brass construction
- Buna N seals
- Borosilicate sight

## OPERATING CONDITIONS:

- Maximum working temperature up to 180°F (82.2°C). For applications requiring maximum working temperature over 180°F (82.2°C), please consult factory.



CATALOG NUMBER		PIPE THREAD	HEX FLATS INCHES (mm)	ORIFICE DIAMETER W/O BALL INCHES (mm)	A INCHES (mm)	B INCHES (mm)	C INCHES (mm)	D INCHES (mm)	MAX. WORKING PSI (kPa) @ 150° F (65.6° C)
FEMALE X FEMALE	FEMALE X MALE								
F151	-	1/8-27	.88 (22.35)	.234 (5.94)	3.34 (84.84)	.78 (19.81)	1.04 (26.42)	3.66 (92.96)	435 (2999)
F152	F162	1/4-18	.88 (22.35)	.234 (5.94)	3.56 (90.42)	1.00 (25.40)	1.04 (26.42)	4.00 (101.60)	435 (2999)
F153	F163	3/8-18	1.06 (26.92)	.312 (7.92)	4.25 (107.95)	1.12 (28.45)	1.12 (28.45)	4.75 (120.65)	425 (2930)
F154	-	1/2-14	1.25 (31.75)	.375 (9.52)	4.62 (117.35)	1.25 (31.75)	1.30 (33.02)	5.12 (130.05)	380 (2620)
F155	-	3/4-14	1.38 (35.05)	.500 (12.70)	5.25 (133.35)	1.35 (34.29)	1.36 (34.54)	5.41 (137.41)	345 (2379)
F156	-	1-11 1/2	1.62 (41.15)	.531 (13.49)	6.31 (160.27)	1.69 (42.93)	1.48 (37.59)	6.31 (160.27)	270 (1862)

11/03 **INLINE FLOW SIGHT BULLETIN F447-1A**



## LUBE DEVICES, INC.

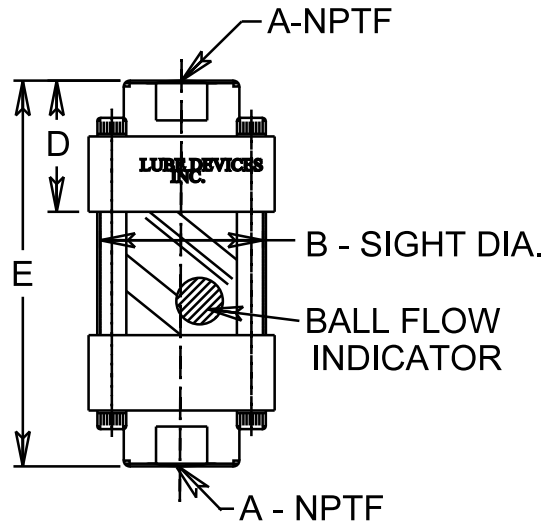
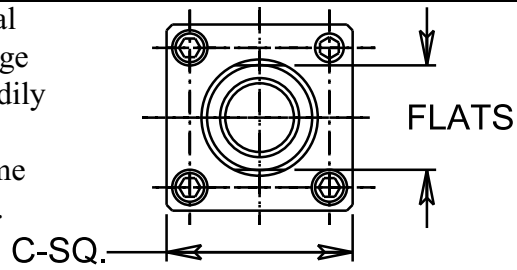
1864 NAGLE AVE., P.O. BOX 1810, MANITOWOC, WI 54221-1810  
 PHONE: (920) 682-6877 FAX: (920) 684-7210  
 E-MAIL: sales@lubedevices.com WEBSITE: www.lubedevices.com

# WIDE VIEW FLOW SIGHTS - FEMALE x FEMALE NPTF

Wide view flow sights can be used in either horizontal or vertical pipe runs to observe fluid flow clarity. Large cylindrical sight allows 360° viewing and flow is readily seen from a distance, in elevated or dimly lighted conditions. In vertical pipe run, fluid flow should come in from bottom to note ball action as a flow indicator.

The ball stop slightly restricts flow.

**CAUTION:** Scratched glass significantly reduces pressure rating.



## STANDARD MATERIALS:

- Brass construction
- Borosilicate sight
- Buna N seals
- Nylon ball indicator

## OPERATING CONDITIONS:

- Noted below in chart

**MODIFICATIONS AVAILABLE MADE TO ORDER - CONSULT OUR FACTORY  
(MINIMUM ORDER MAY BE REQUIRED)**

CATALOG NUMBER	A FEMALE NPTF	B INCHES (mm)	C INCHES (mm)	D INCHES (mm)	E INCHES (mm)	MAX. WORKING PSI (kPa) @ TEMP. SHOWN	
						PSI (kPa)	°F (°C)
F301-04-01	1/2-14	1.75 (44.45)	2.00 (50.80)	1.44 (36.58)	4.25 (107.95)	130 (896.4)	212 (100.0)
F301-05-01	3/4-14	1.75 (44.45)	2.00 (50.80)	1.44 (36.58)	4.25 (107.95)	130 (896.4)	212 (100.0)
F301-06-01	1-11 1/2	1.75 (44.45)	2.25 (57.15)	1.75 (44.45)	4.88 (123.95)	130 (896.4)	212 (100.0)
F301-07-01	1 1/4-11 1/2	2.50 (63.50)	3.00 (76.20)	1.75 (44.45)	5.62 (142.75)	100 (689.5)	185 (85.0)
F301-08-01	1 1/2-11 1/2	2.50 (63.50)	3.00 (76.20)	1.88 (47.75)	5.88 (149.35)	100 (689.5)	185 (85.0)
F301-09-01	2-11 1/2	3.50 (88.90)	4.00 (101.60)	1.88 (47.75)	7.50 (190.50)	60 (413.7)	150 (65.6)

WIDE VIEW FLOW SIGHTS  
FEMALE X FEMALE NPTF  
5/07 **BULLETIN F447-8**  
ISO9001:2000 CERTIFIED



Lube Devices • Flodar • Hydra-Tool • Vescor  
1864 Nagle Ave. P. O. Box 1810  
Manitowoc, WI 54221-1810  
Phone: (920) 682-6877 Fax: (920) 684-7210  
E-MAIL: sales@ldi-industries.com WEBSITE: www.ldi-industries.com

# FLOW SIGHTS - INLINE PIPE THREAD FOR PRESSURE

Inline double window flow sights can be used to determine flow, clarity of fluid and impurities in either horizontal or vertical pipe runs. Nylon ball flow indicator gives positive flow indication with dark or opaque fluids.

**CAUTION:** Scratched glass significantly reduces pressure rating.

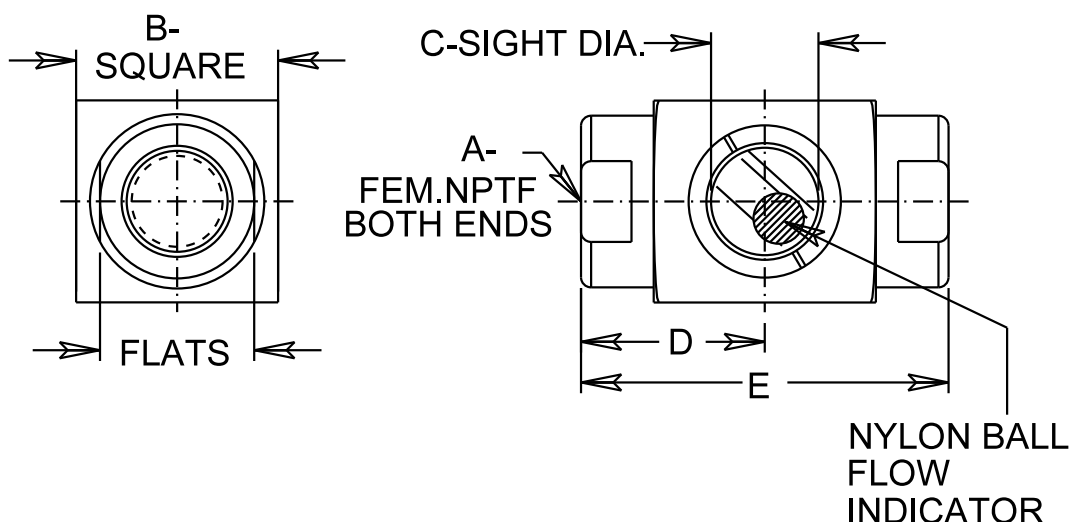
## STANDARD MATERIALS:

- Brass body
- Tempered borosilicate sight window
- Buna N seals

## OPERATING CONDITIONS:

- Maximum working temperature up to 180°F (82.2°C).  
For applications requiring maximum working temperature over 180°F (82.2°C), please consult factory.

**MODIFICATIONS AVAILABLE MADE TO ORDER - CONSULT OUR FACTORY  
(MINIMUM ORDER MAY BE REQUIRED)**



CATALOG NUMBER		A FEMALE NPTF	B INCHES (mm)	C INCHES (mm)	D INCHES (mm)	E INCHES (mm)	MAX. WORKING PSI @ 150° F (kPa @ 65.6° C)
NO BALL	BALL						
-	F251-04-01	1/2-14	2.00 (50.80)	.88 (22.35)	1.75 (44.45)	3.50 (88.90)	400 (2758)
-	F251-05-01	3/4-14	2.25 (57.15)	.88 (22.35)	1.75 (44.45)	3.50 (88.90)	400 (2758)
-	F251-06-01	1-11 1/2	2.50 (63.50)	1.38 (35.05)	2.31 (58.67)	4.62 (117.35)	160 (1103.2)
F251-08	F251-08-01	1 1/2-11 1/2	3.00 (76.20)	1.88 (47.75)	2.88 (73.15)	5.75 (146.05)	85 (586.1)



Lube Devices • Flodar • Hydra-Tool • Vescor  
1864 Nagle Ave. P. O. Box 1810  
Manitowoc, WI 54221-1810  
Phone: (920) 682-6877 Fax: (920) 684-7210  
E-MAIL: sales@ldi-industries.com WEBSITE: www.ldi-industries.com

FLOW SIGHTS - INLINE PIPE THREAD  
FOR PRESSURE

5/05

**BULLETIN F447-6**

ISO9001:2000 CERTIFIED