

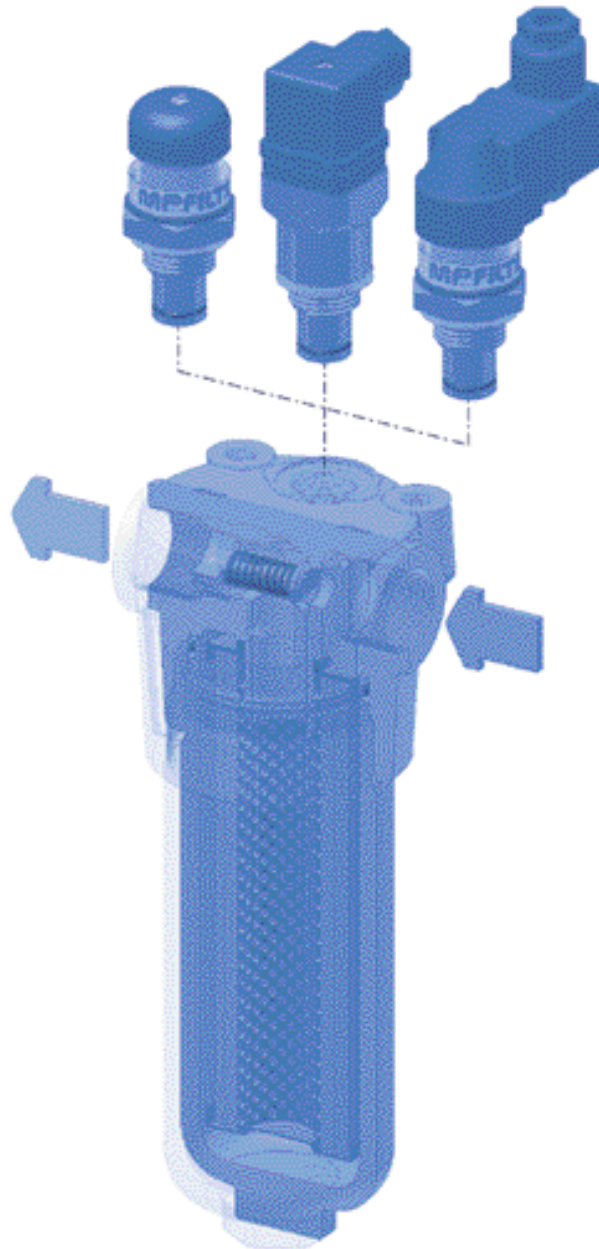
# FMM 050



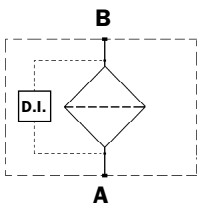
# FMM

# SERIES 050

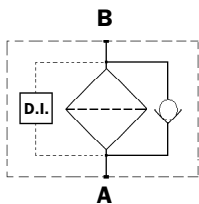
*Working pressure*  
**4000 psi**



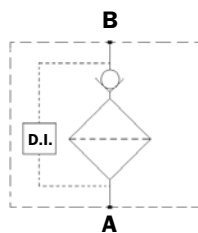
Style S



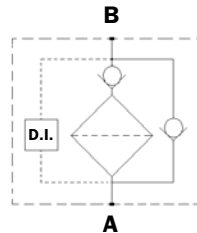
Style B



Style T



Style D



# Technical data

## Filter body (Materials)

- Head: Cast iron (chemical heat treatment)
- Housing: Steel (chemical heat treatment)
- Bypass valve: Steel

## Pressure

- Working pressure: 4000 psi (28 MPa)
- Test pressure: 6090 psi (42 MPa)
- Burst pressure: 12200 psi (84 MPa)
- Pulsed pressure fatigue test 1,000,000 of cycles with variable pressure from 0 to 4060 psi (28 MPa)

## Temperature

- From - 13°F to + 230°F

## Bypass valve

- Opening pressure 90 psi  $\pm$ 10%
- Other opening pressures on request.

## Elements type $\Delta p$

- Microfibre filter elements series N: 300 psi
- Microfibre filter elements series H: 3000 psi
- Stainless steel mesh elements series N: 300 psi
- Oil flow from exterior to interior.

## Seals

- Standard Nitrile (NBR) series A
- Optional FPM series V

## Weights without filter elements (lbs)

### Length

- FMM050-1 5.7
- FMM050-2 8.0
- FMM050-3 8.6
- FMM050-4 9.9
- FMM050-5 13.5

## Filter internal volumes (dm<sup>3</sup>)

### Length

- FMM050-1 23.2
- FMM050-2 29.3
- FMM050-3 35.4
- FMM050-4 42.1
- FMM050-5 52.5

## Connections

In-line Inlet/Outlet

## Compatibility

- Bodies compatible with:
  - Mineral oils to ISO 2943 - aqueous emulsions
  - Synthetic fluids, water/glycol.
- Filter elements compatible with:
  - Mineral oils to ISO 2943 - aqueous emulsions
  - Synthetic fluids, water/glycol.
- Nitrile (NBR) seals series A, compatible with:
  - Mineral oils to ISO 2943 - aqueous emulsions
  - Synthetic fluids, water/glycol.
- V series FPM seals, compatible with:
  - Synthetic fluids type HS-HFDR-HFDS-HFDU.

## Filter Element Area Filter element in stainless steel mesh Length

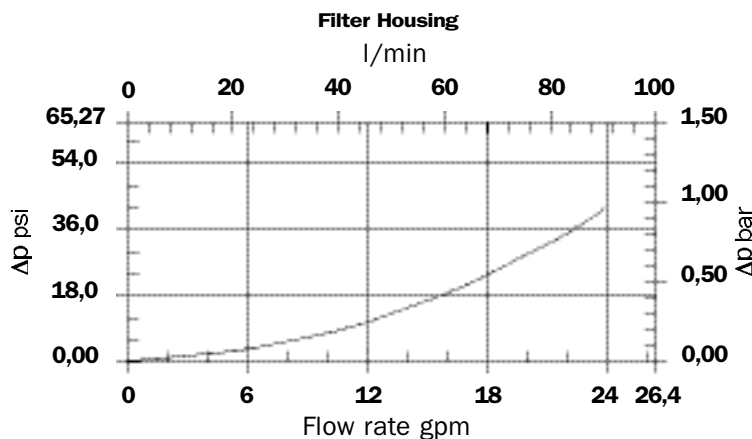
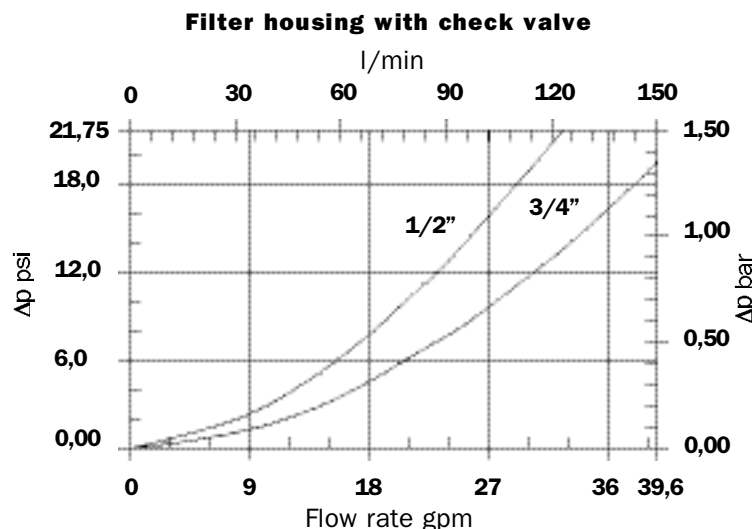
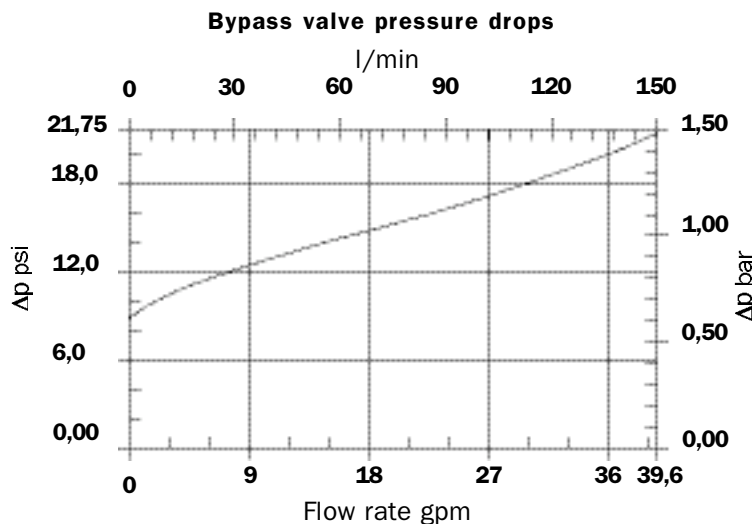
Type	1	2	3	4	5
HP050	70	108	155	200	325

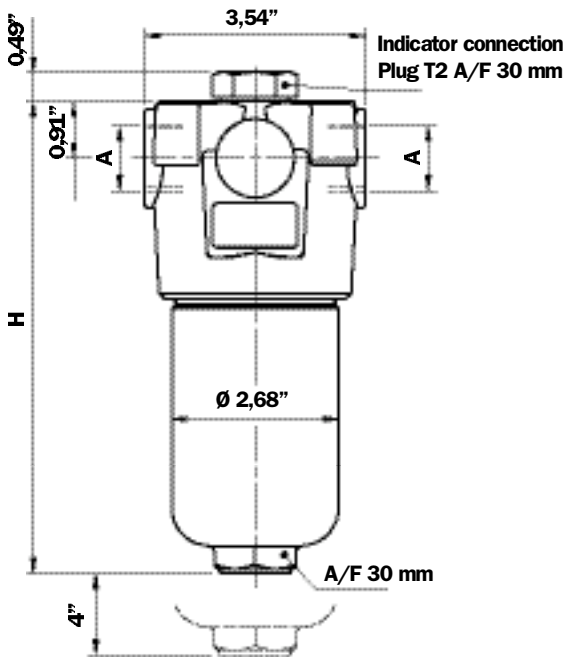
Values in in<sup>2</sup>

## Pressure drops $\Delta p$ Body

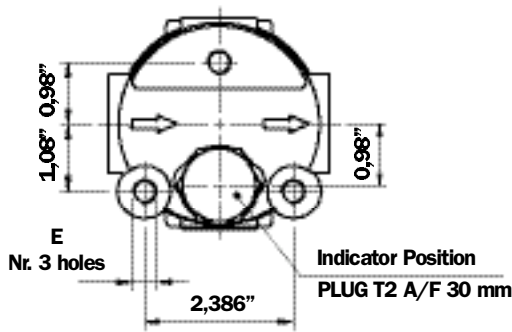
The curves are plotted using mineral oil with specific density 0,86.

$\Delta p$  varies proportional with density.

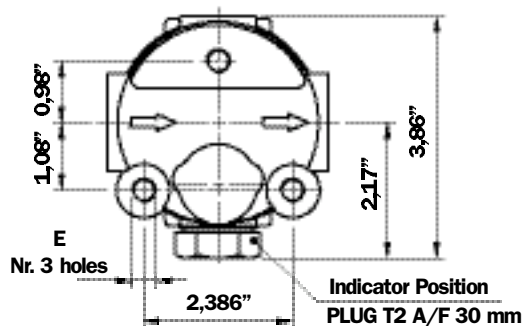




With standard indicator



Option P03 with indicator at 90°



**Note.** Differential indicator versions are supplied with plug T2.

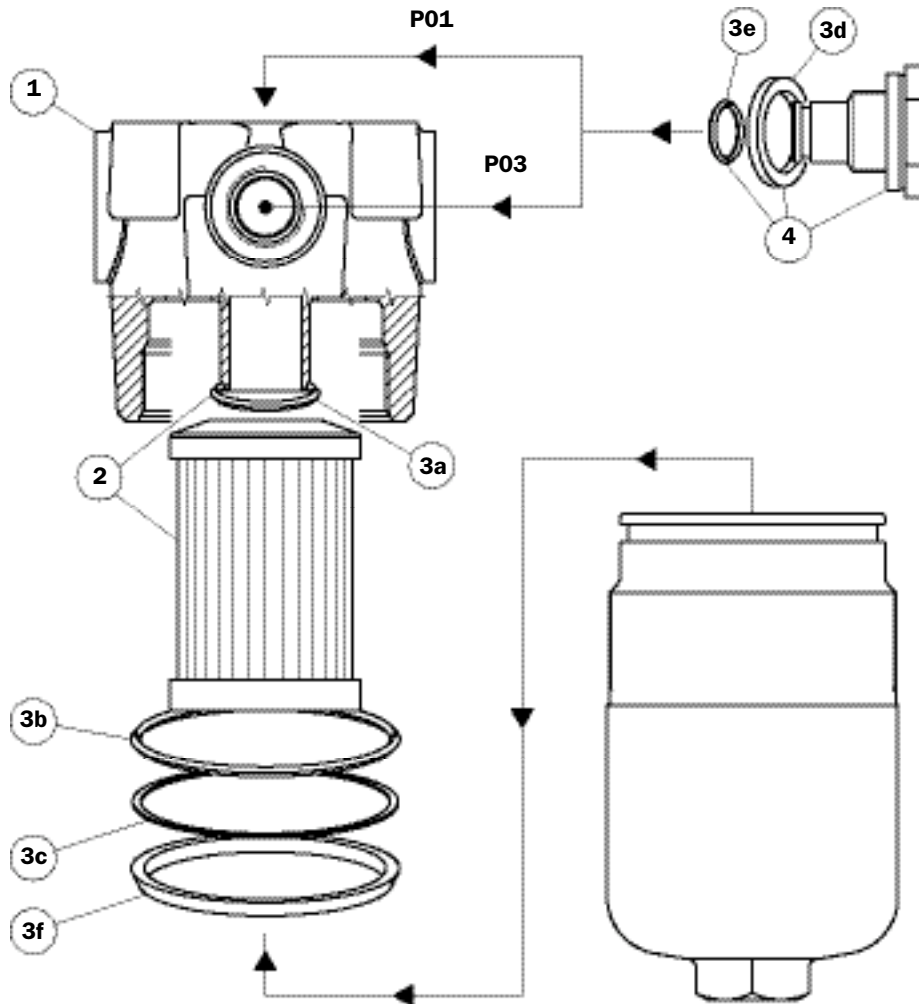
### Recommended maximum flow rate

- Pressuredrop of complete filter equal to  $\Delta p$  21,75 psi.
- Oil kinematic viscosity 150 SUS.
- Density 53,69 lbs/ft<sup>3</sup>.
- Connections of filter under test G 3/4".

Filter element type	Flow rate gpm Series N	Flow rate gpm Series H	Filter Length
A03	11,6	7,9	1
A06	11,6	10,6	
A10	21,1	15,3	
A16	21,7	15,9	
A25	29,1	19,8	
M25	37,0	-	2
A03	14,0	11,9	
A06	15,3	13,2	
A10	23,0	20,6	
A16	26,4	23,8	
A25	33,0	31,4	3
M25	37,0	-	
A03	18,0	15,6	
A06	18,8	16,4	
A10	26,4	24,3	
A16	29,1	26,4	4
A25	35,7	34,3	
M25	37,0	-	
A03	22,5	19,8	
A06	24,3	21,7	
A10	31,2	28,0	5
A16	31,7	29,6	
A25	35,7	35,7	
M25	38,3	-	
A03	29,1	24,8	
A06	29,6	25,9	5
A10	34,3	29,6	
A16	35,7	31,7	
A25	37,0	37,0	
M25	40,2	-	

Filter Length	H inch	A	E
		Threaded Connections	Depth 15 mm
1	6,22"	18x1,5 ISO 6149	M10
2	7,68"	22x1,5 ISO 6149	M10
3	9,33"	G 1/2"	M10
4	11,22"	G 3/4"	M10
5	16,02"	1/2" NPT	3/8" UNC
		3/4" NPT	3/8" UNC
		SAE 8 (3/4" - 16 UNF)	3/8" UNC
		SAE 12 (1 1/16" - 12 UN)	3/8" UNC

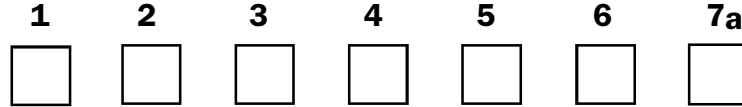
# Spare parts FMM050



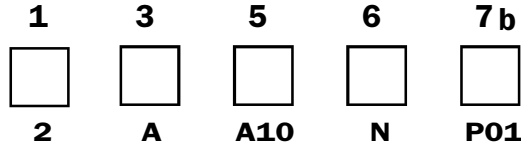
Pos.	Description	Qty.	FMM 050 series FILTER 050 1 - 2 - 3 - 4 - 5	
1	Complete filter	1	See order table	
2	Filter Element	1	See order table	
3	Seal kits	1	NBR 02050314	FPM 02050315
3a	O-Ring for filter element	1	OR 3093 ID 932" x 103"	
3b	O-Ring for housing	1	OR 3225 ID 2,237" x 103"	
3c	Anti-extrusion ring	1	Parbak 139 ID 2,206" x 086"	
3d	Gasket	1	01030058 (HNBR)	01030046 (FPM)
3e	O-Ring	1	OR 2050 ID 489" x 070"	
3f	Protection seal	1	01026521	
4	Indicator plug	1	T2H	T2V
-	Indicator	1	See order table	

# Ordering information FMM050

## Filter assembly FMM 050



## Filter element HP 050

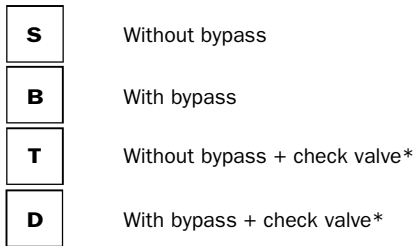


Example: HP050

### 1 - Filter lengths

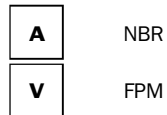


### 2 - Bypass valve

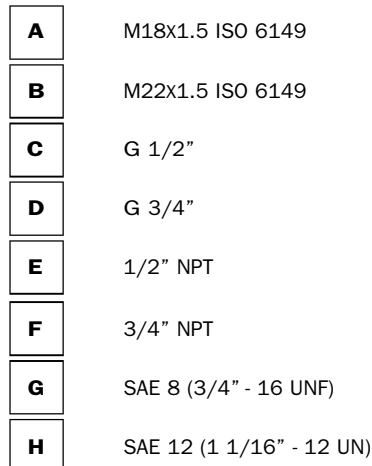


\*Reduced cross-section oilways

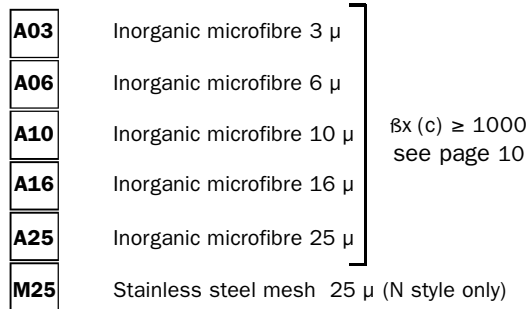
### 3 - Seals



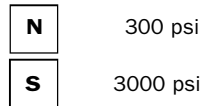
### 4 - Threaded connections



### 5 - Filter elements

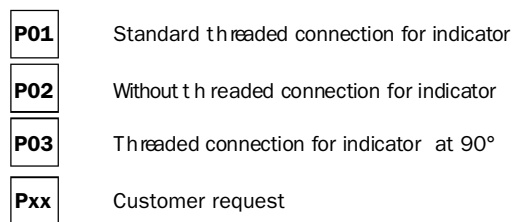


### 6 - Filter elements differential pressure

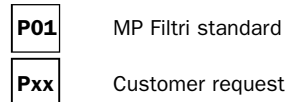


### 7 - Options

#### a) Filter



#### b) Filter element



DIFFERENTIAL INDICATORS (see page 15)

**MP Filtri** - The filter functions described in this bulletin are valid exclusively for original MP Filtri filter elements and replacement parts. All rights reserved

The data in this publication is marketing information. MP Filtri reserves the right to make changes to the products described herein at any time it deems fit in relation to technical or commercial requirements. The colors of the products shown on the cover are for the illustration purposes only. Copyright. All rights reserved.