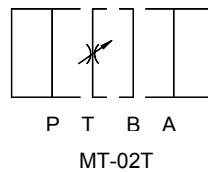
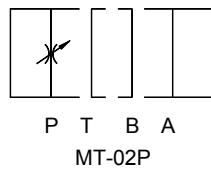
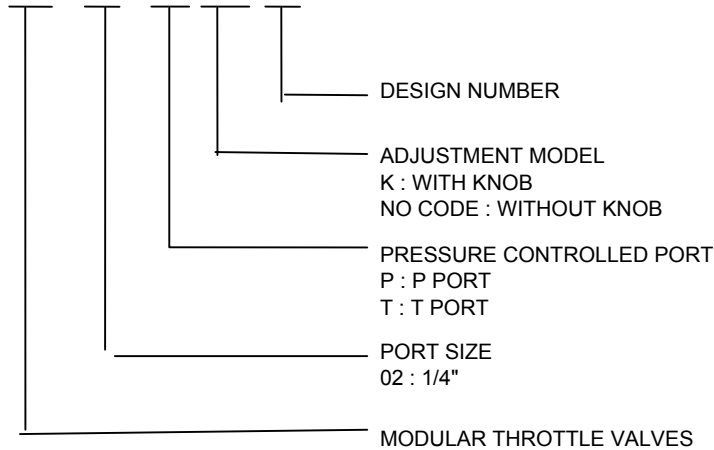


SYMBOLS



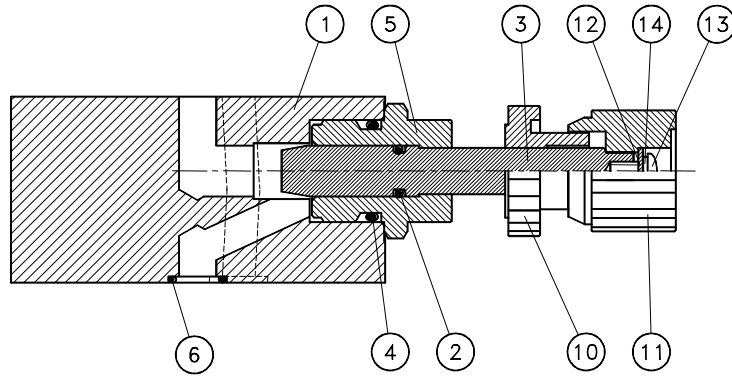
HOW TO ORDER

MT - 02 P - K - 30



SPECIFICATIONS

MAX. OPERATING PRESSURE	210 kgf/cm ² (3000 PSI)
MAX. FLOW CAPACITY	35 LPM (9.3 GPM)



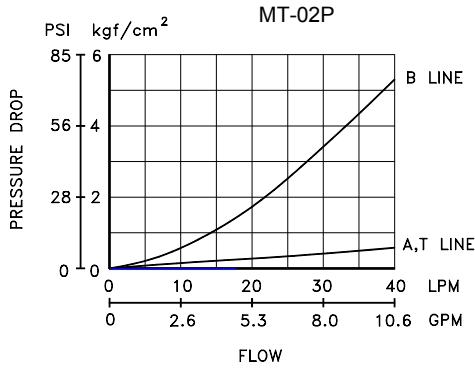
NO.	DESCRIPTION	SPEC.	NO.	DESCRIPTION	SPEC.
2	O-RING	P8(90°)	6	O-RING	AS568-012(90°)
4	O-RING	P18(90°)			

PERFORMANCE CURVES

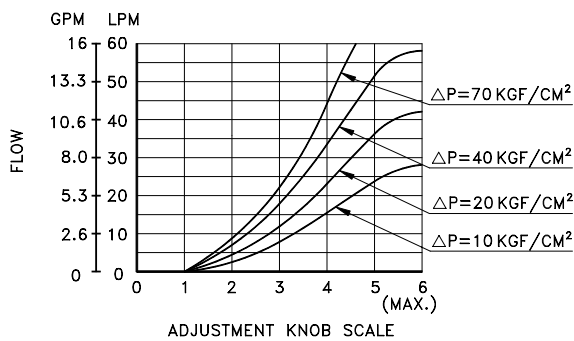
TEST FLUID VISCOSITY : 35 cSt (175 SSU)

TEST TEMPERATURE : 50°C (122°F)

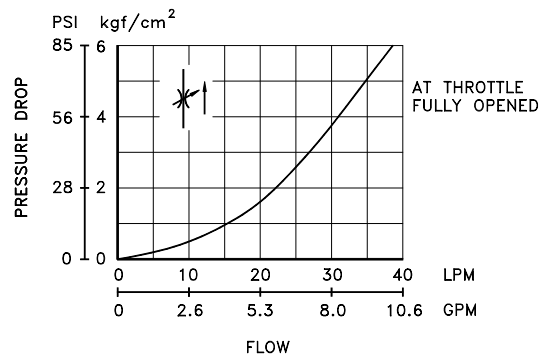
PRESSURE DROP FOR EACH PORT



METERED FLOW VS. DIAL POSITION



PRESSURE DROP AT THROTTLE FULLY OPENED



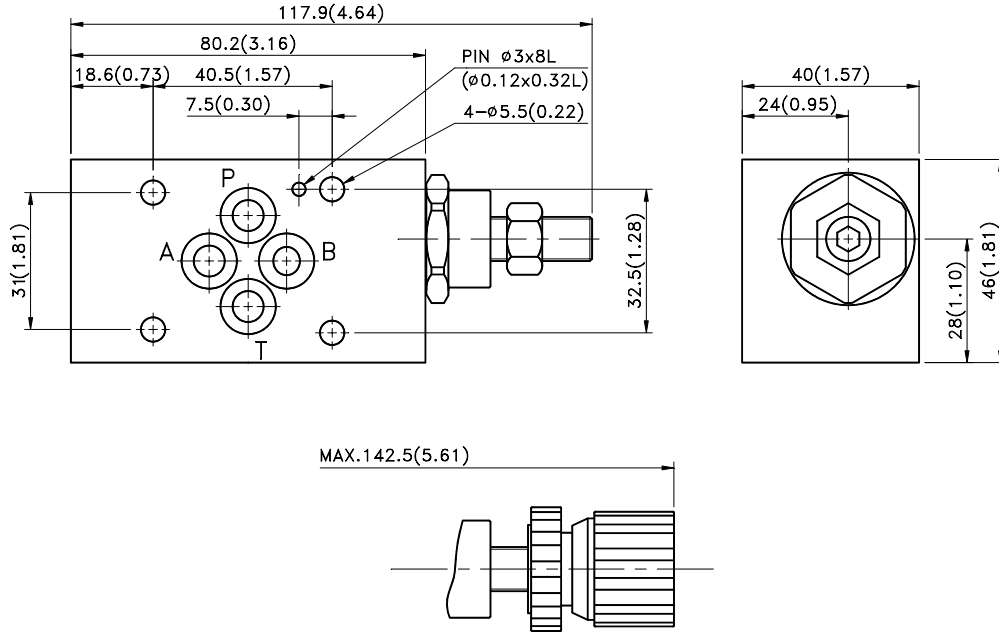


INSTALLATION DIMENSIONS

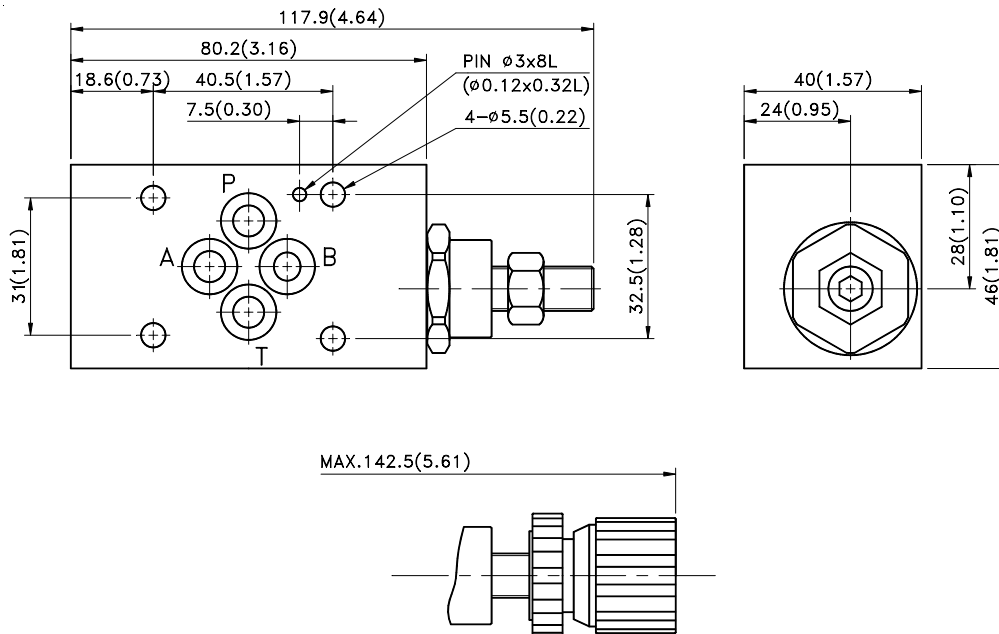
MT - 02P - K - 30

UNIT: mm(inch)

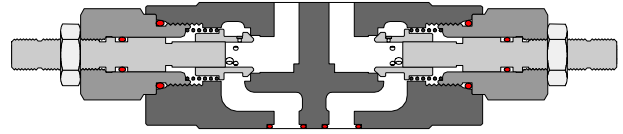
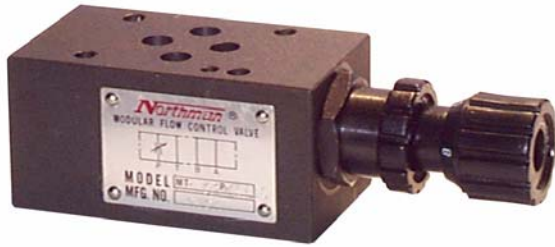
WEIGHTS: 1.2 kas(2.65 lbs)



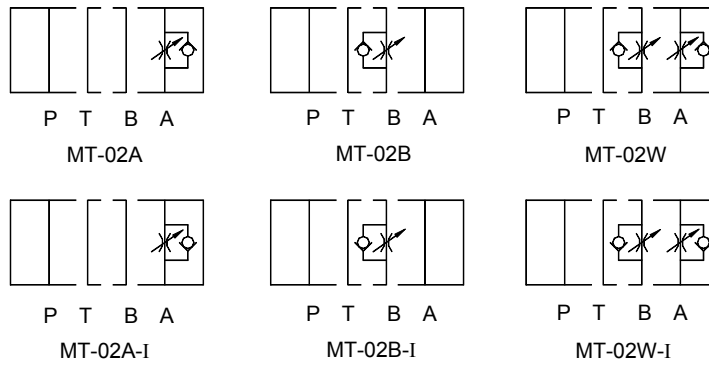
MT - 02T - K - 30



MT-02 SERIES

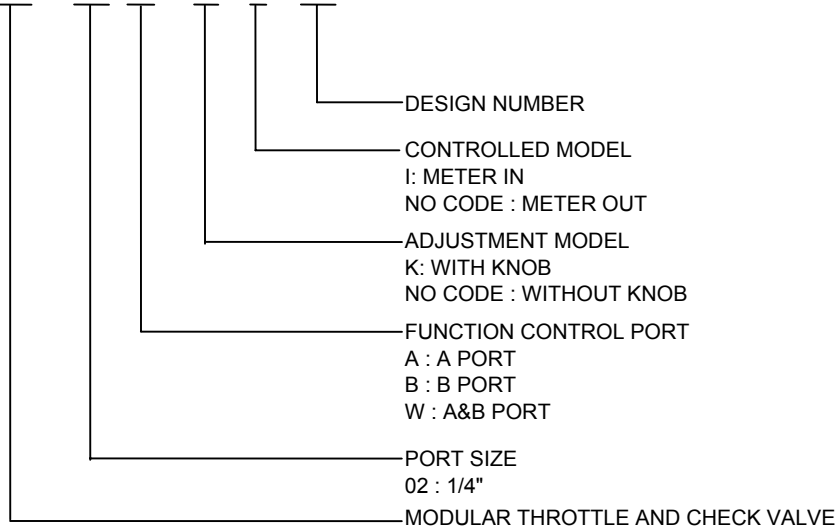


SYMBOLS



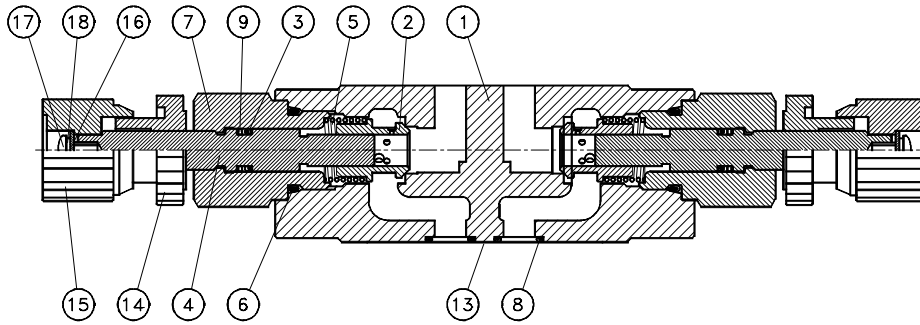
HOW TO ORDER

MT - 02 W - K - I - 30



SPECIFICATIONS

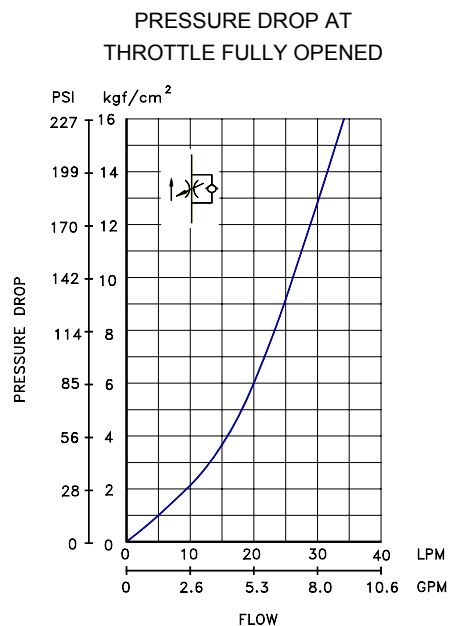
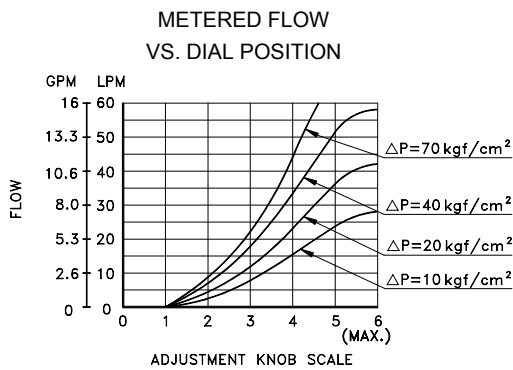
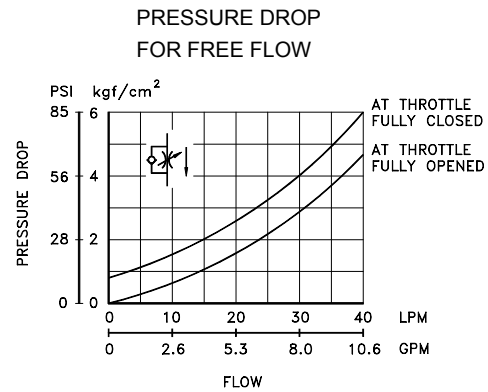
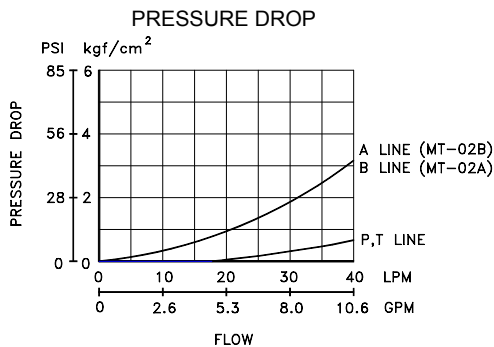
MAX. OPERATING PRESSURE	210 kgf/cm ² (3000 PSI)
MAX. FLOW CAPACITY	35 LPM (9.3 GPM)



NO.	DESCRIPTION	SPEC.	NO.	DESCRIPTION	SPEC.
3	O-RING	P8(90°)	8	O-RING	AS568-012(90°)
6	O-RING	P18(90°)	9	BACK-UP RING	P8

PERFORMANCE CURVES

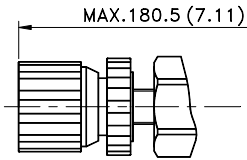
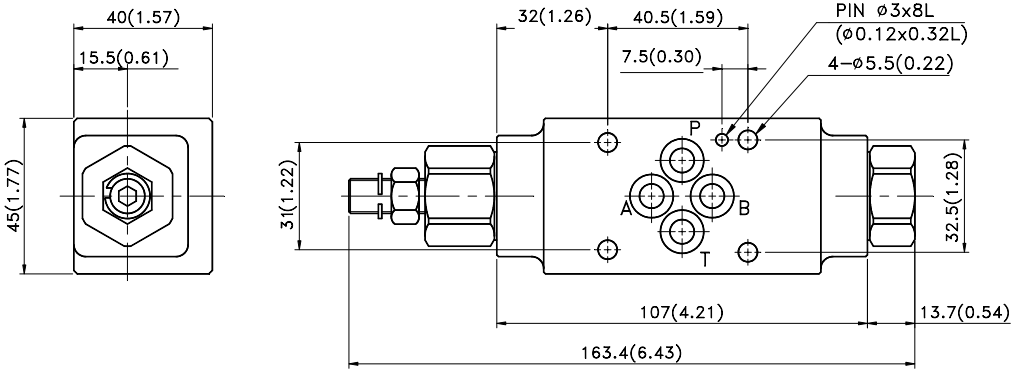
TEST FLUID VISCOSITY : 35 cSt (175 SSU)
 TEST TEMPERATURE : 50°C (122°F)



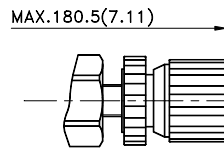
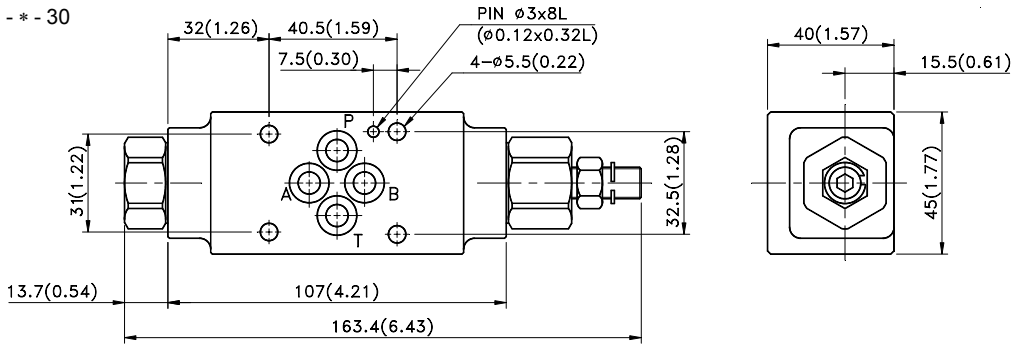
INSTALLATION DIMENSIONS

MT - 02A - * - 30

UNIT: mm(inch)
WEIGHT: 1.2 kgs(2.65 lbs)



MT - 02B - * - 30



UNIT : mm(inch)
WEIGHT: 1.4 kgs(3.1 lbs)

MT - 02W - * - * - 30

