

valves

## L2 Series

*Solenoid Pilot, Air Pilot or Hand Lever Actuated Valves*



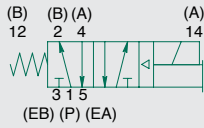
# numatics®

# Table of Contents

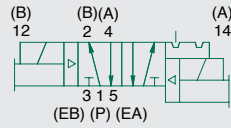
<b>L2 Series</b> .....	3-14
Technical and Operating Data .....	3-4
How to Order .....	5
Valve Dimensions .....	6-7
Manifold Assemblies .....	8-9
Hand Lever Valves .....	10
Speed Control Kit .....	11
Valve Service Kits and Parts .....	12-13
Internal/External Pilot Selection .....	14
Blank Station Plate Kit .....	14
Adaptor Kit .....	14
Blocking Plug Kit .....	14
Solenoid Assemblies .....	14



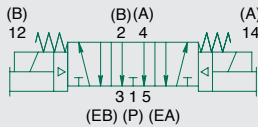
single solenoid  
2 position 4-way



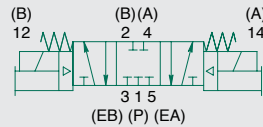
double solenoid pilot  
2 position 4-way



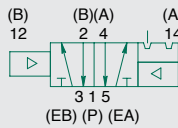
double solenoid pilot  
3 position 4-way  
open center



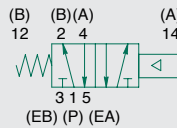
double solenoid pilot  
3 position 4-way  
closed center



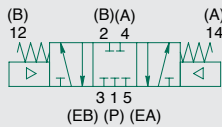
single air pilot  
2 position 4-way  
no override



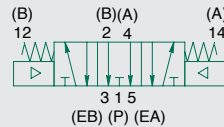
single air pilot  
2 position 4-way  
no override



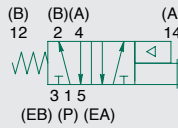
double air pilot  
3 position 4-way  
closed center  
no override



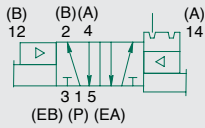
double air pilot  
3 position 4-way  
open center  
no override



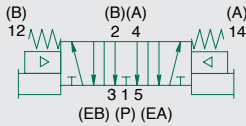
single air pilot  
2 position 4-way  
w/override



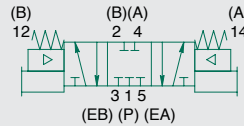
double air pilot  
2 position 4-way  
w/override



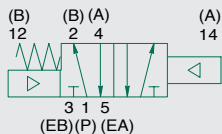
double air pilot  
3 position 4-way  
open center w/override



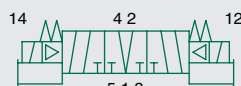
double air pilot  
3 position 4-way  
closed center w/override



double air pilot  
2 position 4-way  
spring offset  
no override



double solenoid pilot  
3 Position 4-Way (5/3),  
open to 4 (A) and  
2 (B) in center

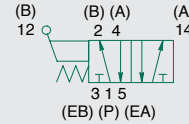


5 Ported, 2 and 3 position, 4-way, Spool & Sleeve  
Cv: 1.7

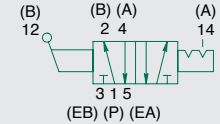
- Solenoid pilot or air pilot actuated
- Hand-lever valves available
- DIN plug-in solenoid and plug connector with indicator light
- Unlubricated or lubricated service
- In-line or manifold mounted
- Integral speed control available



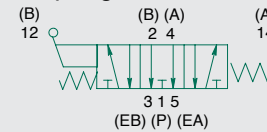
hand lever  
2 position 4-way  
w/spring return



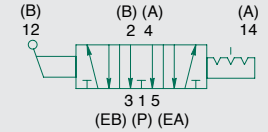
hand lever  
2 position 4-way  
w/detent



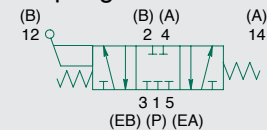
hand lever  
3 position 4-way  
open center  
w/spring center



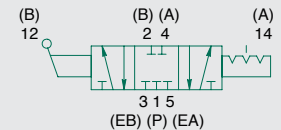
hand lever  
3 position 4-way  
open center  
w/detent



hand lever  
3 position 4-way  
closed center  
w/spring center



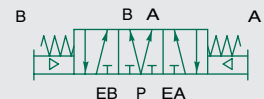
hand lever  
3 position 4-way  
closed center  
w/detent



double air pilot  
3 Position 4-Way (5/3),  
open to 4 (A) and  
2 (B) in center



double air pilot  
3 Position 4-Way (5/3),  
open to 4 (A) and  
2 (B) in center





## L2 Series

### Technical Data

VALVE DATA	ENGLISH		METRIC	
Cv	1/4 = 1.7	3/8 = 1.7	1/4 = 1.7	3/8 = 1.7
Flow capacity	79 SCFM @ 80 PSIG upstream pressure to atmosphere		1674 NI/m @ 6 bar upstream/5 bar downstream	
Main Valve Operating Pressure Range	28" HG. Vacuum to 150 PSIG		Vacuum to 10 bar	
Pilot Pressure Range: Internal and External	14.5 to 150 PSIG		1 to 10 bar	
Temperature range: Solenoid Pilot (ambient)	-10°F to +115°F		-23°C to +46°C	
Temperature Range: Air Pilot (ambient)	-10°F to +150°F		-23°C to +66°C	

### Operating Data

ALL SOLENOIDS ARE CONTINUOUS DUTY RATED		12 VDC	24 VDC	24 VAC 50 Hz.	24 VAC 60 Hz.	115 VAC 50 Hz.	120 VAC 60 Hz.	230 VAC 50 Hz.	240 VAC 60 Hz.
Power (Watts)*		3.5	3.5	4.8	3.3	4.8	4.0	5.0	3.5
Holding Current (Amps.)		0.30	0.15	0.380	0.280	0.064	0.054	0.030	0.023
Inrush Current (Amps.)		N/A	N/A	0.500	0.420	0.087	0.082	0.042	0.036
Energize in seconds	2-Position, Single, Spring Return	0.010	0.010	0.007	0.007	0.007	0.007	0.007	0.007
	2-Position, Double, Detented	0.010	0.010	0.007	0.007	0.007	0.007	0.007	0.007
	3-Position, Spring Centered	0.010	0.010	0.007	0.007	0.007	0.007	0.007	0.007
De-energize in seconds	2-Position, Single, Spring Return	0.035	0.035	0.035	0.035	0.035	0.035	0.035	0.035
	2-Position, Double, Detented	N/A	N/A	N/A	N/A	N/A	N/A	N/A	N/A
	3-Position, Spring Centered	0.030	0.035	0.035	0.035	0.035	0.035	0.035	0.035

\*A 1.4 Watt DC solenoid is available. Add "17G" to the model number. **EXAMPLE:** L22BA452B017G61.  
Maximum pilot pressure is reduced to 116 PSIG (8 bar).



### How to Order

#### Valves

**L22 JA 4 52 O 0 000 00**

**Valve Series & Port Size**  
L22 = 1/4  
L23 = 3/8

**Valve Type**  
BA = Single Solenoid Pilot, Spring Return w/Flush Locking Override  
BB = Double Solenoid Pilot w/Flush Locking Override  
PA = Single Air Pilot Cap w/Spring Return  
PP = Double Air Pilot Cap  
PM = Double Air Pilot w/Spring Offset  
JA = Single Air Pilot w/Flush Non-locking Override and Spring Return  
JJ = Double Air Pilot w/Flush Non-locking Override  
LA = Hand Lever w/Spring Return  
LD = Hand Lever w/Detent

**Function**  
4 = 2 Position, 4-Way  
5 = 3 Position, 4-Way Open Center  
6 = 3 Position, 4-Way Closed Center  
7 = 3 Position 4-Way (5/3), Open to 4 (A) and 2 (B) in Center

**Mounting**  
52 = Line Mounted

**Voltage**  
20 = 24/50-60 VAC  
30 = 110-120/50-60 VAC  
40 = 220-240/50-60 VAC  
60 = 12 VDC  
61 = 24 VDC  
00 = N/A (Use With Air Pilot or Hand Lever)

**Options**  
14A = External Pilot Supply  
17G = Low Watt Solenoid – 1.42 Watt  
17P = Flush Non-locking Override  
18D = Side Ports (see p. 6)

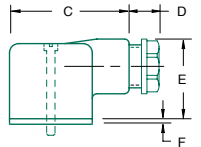
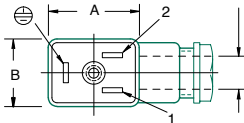
**Port Type**  
0 = NPTF  
G = G Tap

**Wiring Option**  
B = DIN Plug-in DC Solenoid  
O = DIN Plug-in AC Solenoid or Air Pilot or Handlever

NOTE: Plug connector is NOT included with DIN solenoid. Order plug-in connector assembly separately (see ordering information below)

#### Plug Connector Assemblies

Per DIN Spec. NO 43650. Accepts cable diameter 0.240 to 0.310  
11mm Industry Standard DIN Form B



Normal Polarity  
1 = (+) Positive, High  
2 = (-) Negative, Neutral  
⊖ = Chassis Ground

PLUG CONNECTOR DESCRIPTION	PART NO.
Grey (14 end solenoid) Plug Assembly	230-363
Black (12 end solenoid) Plug Assembly	230-364
Plug Assembly with 24 V Light	230-365
Plug Assembly with 110 V Light	230-366
Plug Assembly with 220 V Light	230-367

#### Dimensions

top dimensions = inches and bottom dimensions (in parenthesis) = millimeters

A	B	C	D	E	F
1.12 (28.4)	0.83 (21.1)	1.57 (39.9)	0.40 (10.2)	1.10 (28.4)	0.06 (1.5)

#### Manifold Assembly

**AK 0 3 D 0000 3 N STD**

**Electrical/Electronics Type & Location**  
0 = Standard

**Valve Line**  
3 = L2 Series

**Number of Valve Stations**  
B = 2    F = 6    J = 10  
C = 3    G = 7    K = 11  
D = 4    H = 8    L = 12  
E = 5    I = 9

**Options**  
Std = Standard (Common Supply and Exhaust)  
A19 = Common Supply, Individual Exhaust

**Port Type**  
N = NPTF  
G = G Tap

**End Plate Port Size**  
3 = 3/8

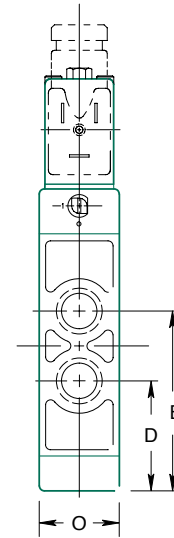
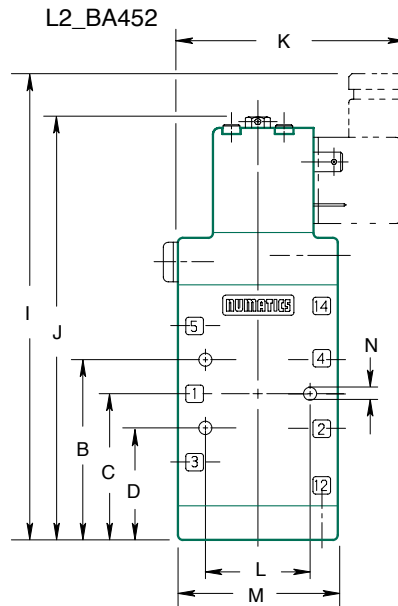
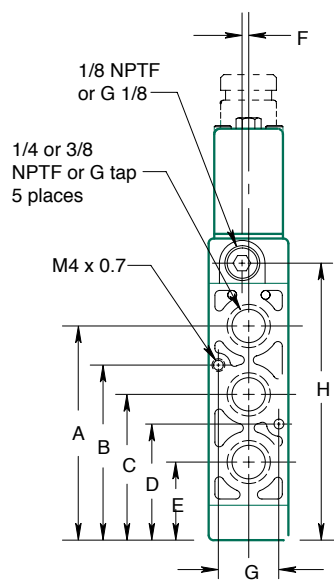
Example order:

Assembly Kit: AK03D00003NSTD  
Station 1: L23BB552O000030  
Station 2: L23BA452O000030  
Station 3: L23PP452O000000  
Station 4: L23PA452O000000  
ASSEMBLED

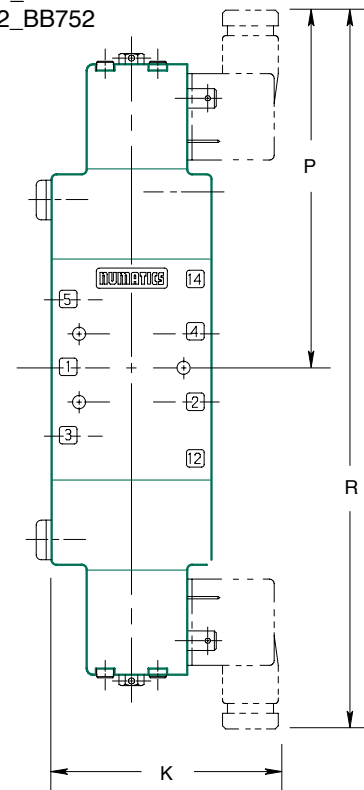
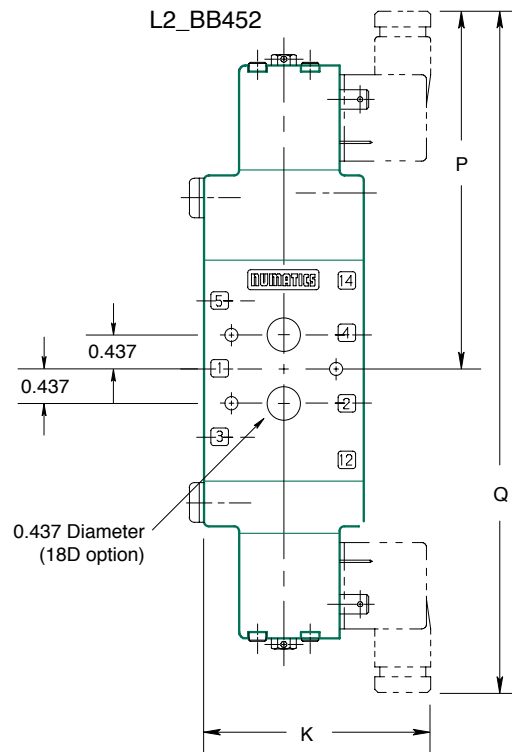


## L2 Series

### Solenoid-Pilot Valve



L2\_BB552  
L2\_BB652  
L2\_BB752



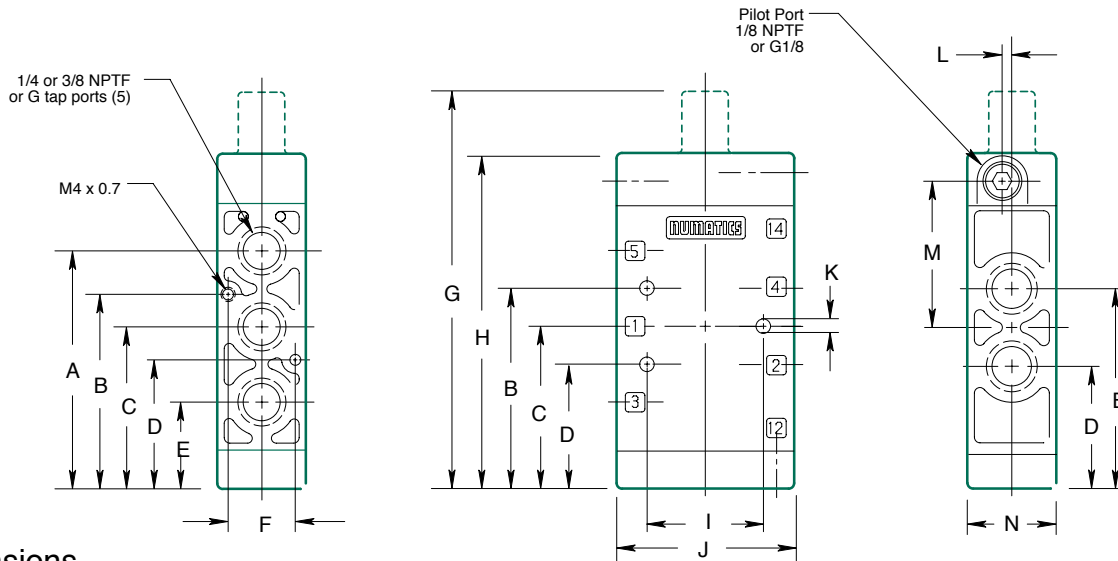
### Dimensions

top dimensions = inches and bottom dimensions (in parenthesis) = millimeters

A	B	C	D	E	F	G	H	I	J	K	L	M	N	O	P	Q	R
2.72 (69.1)	2.28 (57.9)	1.85 (47.0)	1.41 (35.8)	0.97 (24.6)	0.08 (2.0)	0.75 (19.1)	3.53 (89.7)	5.99 (152.1)	5.38 (136.7)	2.89 (72.9)	1.27 (32.3)	2.00 (50.8)	0.17 (4.3)	1.00 (25.4)	4.66 (118.4)	8.78 (223.0)	9.32 (236.7)



### Air-Pilot Valve - 2 Position L2\_PA425, L2\_JA452

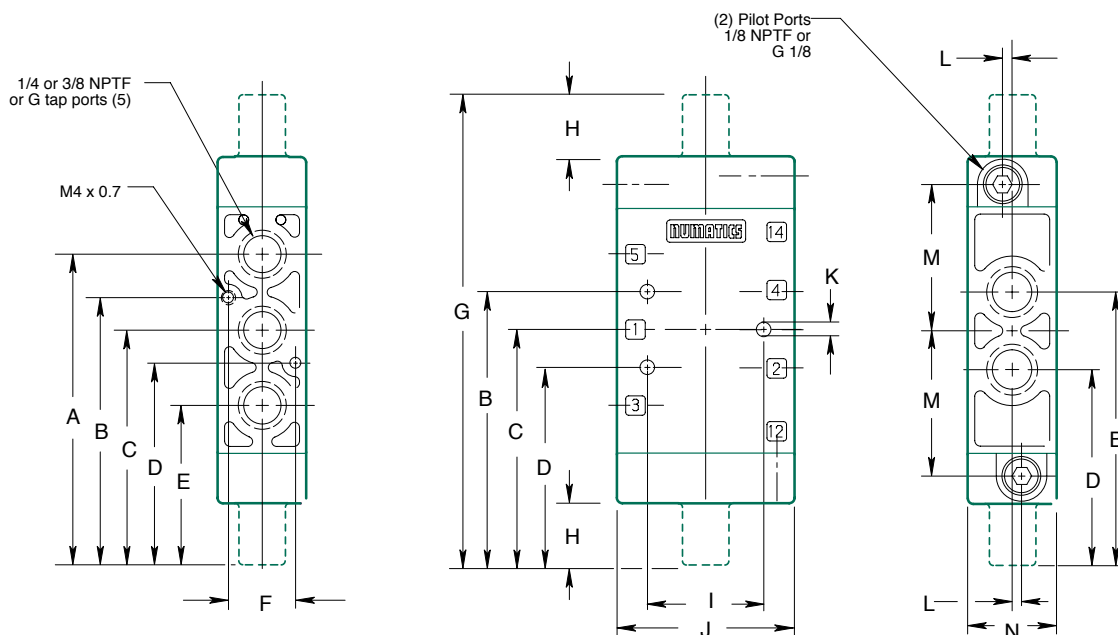


#### Dimensions

top dimensions = inches and bottom dimensions (in parenthesis) = millimeters

A	B	C	D	E	F	G	H	I	J	K	L	M	N
2.72 (69.1)	2.28 (57.9)	1.85 (47.0)	1.41 (35.8)	0.97 (24.6)	0.75 (19.1)	4.56 (115.8)	3.85 (97.8)	1.27 (32.3)	2.00 (50.8)	0.17 (4.3)	0.08 (2.1)	1.69 (42.9)	1.00 (25.4)

### Air-Pilot Valve L2\_PP452, L2\_PP552, L2\_PP652 L2\_PP752, L2\_PM452, L2\_JJ452 L2\_JJ552, L2\_JJ652, L2\_JJ752



#### Dimensions

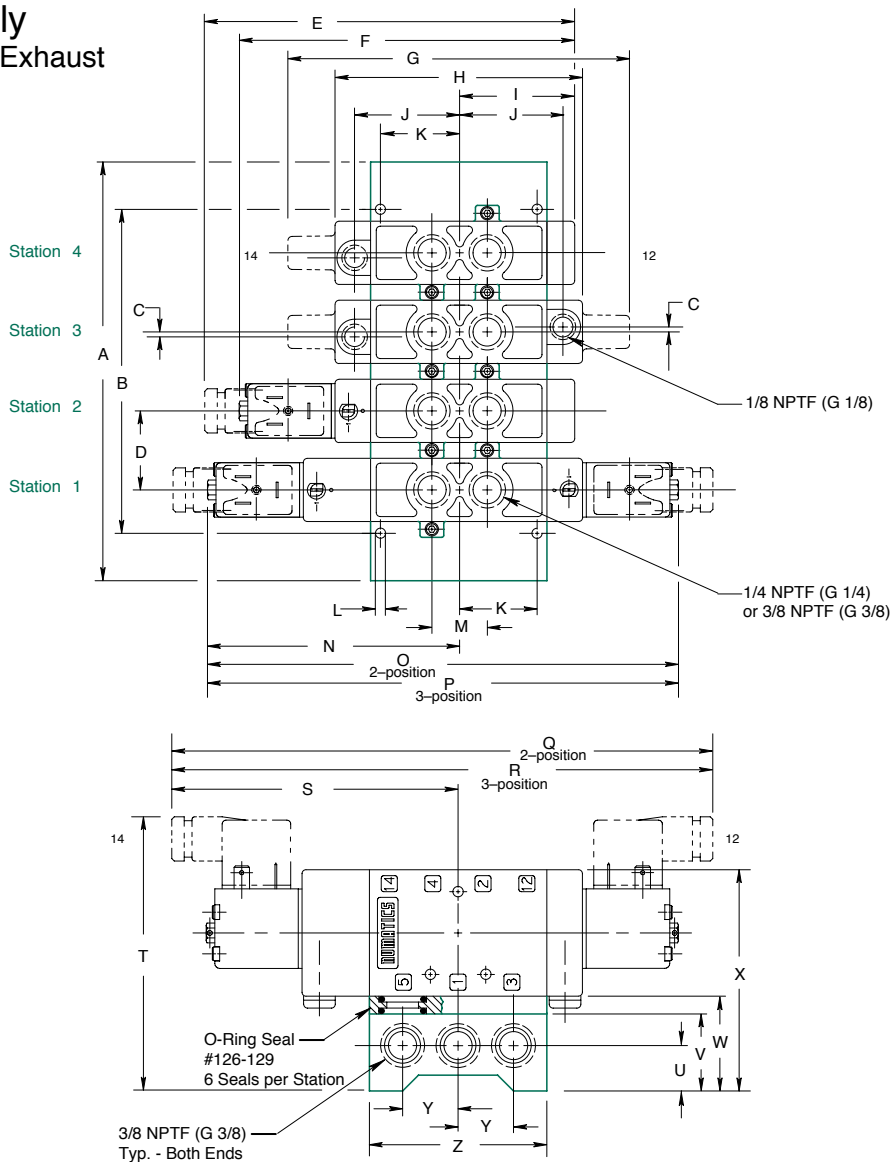
top dimensions = inches and bottom dimensions (in parenthesis) = millimeters

A	B	C	D	E	F	G	H	I	J	K	L	M	N
3.59 (91.2)	3.15 (79.9)	2.71 (68.8)	2.28 (57.8)	1.84 (46.6)	0.75 (19.1)	5.43 (137.9)	0.71 (18.0)	1.27 (32.3)	2.00 (50.8)	0.17 (4.3)	0.08 (2.1)	1.69 (42.9)	1.00 (25.4)



## L2 Series

### Manifold Assembly Common Supply and Exhaust



### Dimensions

top dimensions = inches and bottom dimensions (in parenthesis) = millimeters

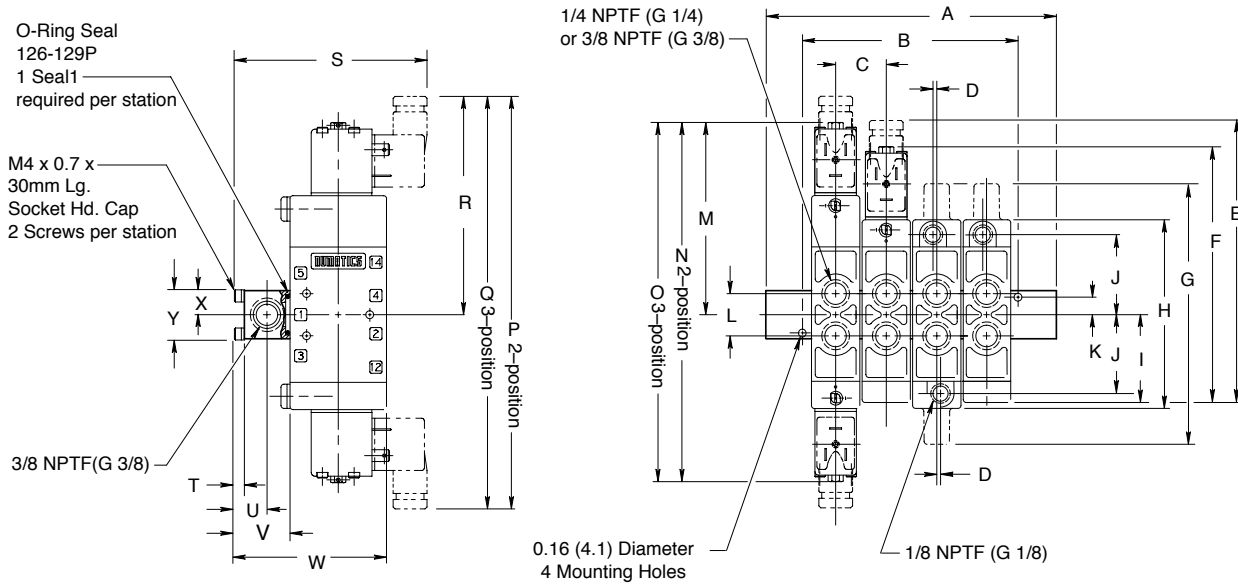
A	B	C	D	E	F	G	H	I	J	K	L	M	N	O	P
See Chart Below	See Chart Below	0.08 (2.0)	1.26 (32.0)	5.99 (152.1)	5.38 (136.6)	5.43 (137.9)	4.01 (101.9)	1.85 (47.0)	1.69 (42.9)	1.25 (31.8)	0.16 (4.1)	0.88 (22.4)	4.05 (102.9)	7.58 (192.5)	8.10 (205.7)
Q	R	S	T	U	V	W	X	Y	Z						
8.78 (223.0)	9.32 (236.7)	4.66 (118.4)	4.35 (110.5)	0.72 (18.3)	1.20 (18.3)	1.48 (37.6)	3.48 (88.4)	0.88 (22.4)	2.78 (70.6)						

MANIFOLD # STATIONS	DIM A	DIM B	3/8 NPTF PART NO.	G 3/8 PART NO.	MANIFOLD # STATIONS	DIM A	DIM B	3/8 NPTF PART NO.	G 3/8 PART NO.
2 Stations	4.16 (105.7)	2.64 (67.1)	106-704	106-715	8 Stations	11.72 (299.7)	10.20 (259.1)	106-710	106-721
3 Stations	5.42 (137.7)	3.90 (99.1)	106-705	106-716	9 Stations	12.98 (329.7)	11.46 (291.1)	106-711	106-722
4 Stations	6.68 (169.7)	5.16 (131.1)	106-706	106-717	10 Stations	14.24 (361.7)	12.72 (323.1)	106-712	106-723
5 Stations	7.94 (201.7)	6.42 (163.1)	106-707	106-718	11 Stations	15.50 (393.7)	13.98 (355.1)	106-713	106-724
6 Stations	9.20 (233.7)	7.68 (195.1)	106-708	106-719	12 Stations	16.76 (425.7)	15.24 (387.1)	106-714	106-725
7 Stations	10.46 (265.7)	8.94 (227.1)	106-709	106-720	<b>Adaptor Kit</b>	Order (1) adaptor kit for each station on the manifold. Includes all seals and screws.			<b>239-312</b>





### Manifold Assembly Common Supply and Individual Exhaust



### Dimensions

top dimensions = inches and bottom dimensions (in parenthesis) = millimeters

A	B	C	D	E	F	G	H	I	J	K	L	M	N	O	P
See Chart Below	See Chart Below	1.03 (26.2)	0.08 (2.1)	5.99 (152.1)	5.38 (136.6)	5.43 (137.9)	4.01 (101.9)	1.85 (46.9)	1.69 (42.9)	0.38 (9.5)	0.88 (22.2)	4.05 (102.9)	7.58 (192.6)	8.10 (205.7)	8.78 (223.0)
Q	R	S	T	U	V	W	X	Y							
9.32 (236.7)	4.66 (118.4)	3.77 (95.8)	0.20 (5.2)	0.45 (11.4)	0.90 (22.9)	3.10 (78.9)	0.48 (12.3)	0.97 (24.6)							

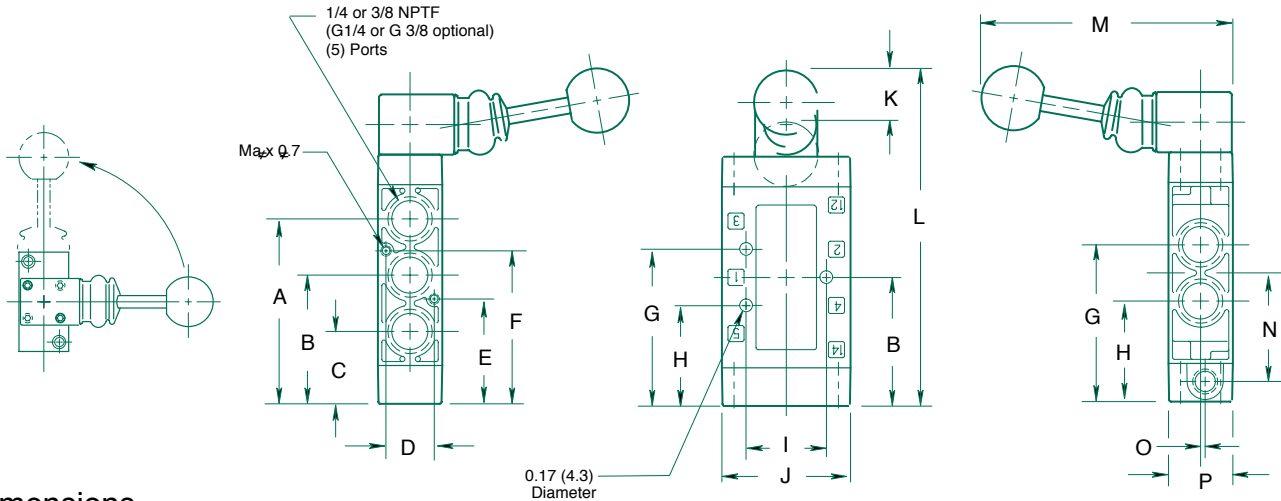
MANIFOLD # STATIONS	DIM A	DIM B	3/8 NPTF PART NO.	G 3/8 PART NO.
2 Stations	3.92 (99.2)	2.40 (60.9)	229-946	229-957
3 Stations	4.95 (125.7)	3.43 (87.1)	229-947	229-958
4 Stations	5.98 (151.9)	4.46 (113.3)	229-948	229-959
5 Stations	7.01 (178.1)	5.49 (139.5)	229-949	229-960
6 Stations	8.04 (204.2)	6.52 (165.6)	229-950	229-961
7 Stations	9.07 (230.4)	7.55 (191.8)	229-951	229-962

MANIFOLD # STATIONS	DIM A	DIM B	3/8 NPTF PART NO.	G 3/8 PART NO.
8 Stations	10.10 (256.5)	8.58 (217.9)	229-952	229-963
9 Stations	11.13 (282.7)	9.61 (244.1)	229-953	229-964
10 Stations	12.16 (308.9)	10.64 (270.3)	229-954	229-965
11 Stations	13.16 (335.0)	11.67 (296.4)	229-955	229-966
12 Stations	14.22 (361.2)	12.70 (322.6)	229-956	229-967



## L2 Series

### Hand Lever Valve



### Dimensions

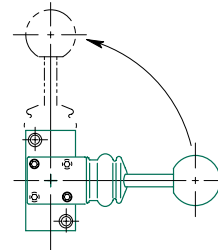
top dimensions = inches and bottom dimensions (in parenthesis) = millimeters

A	B	C	D	E	F	G	H	I	J	K	L	M	N	O	P
2.88 (73.2)	2.00 (50.8)	1.13 (28.7)	0.75 (19.1)	1.63 (41.4)	2.38 (60.5)	2.44 (62.0)	1.57 (39.9)	1.27 (32.3)	2.00 (50.8)	0.72 (18.3)	5.18 (131.6)	3.93 (99.8)	1.68 (42.7)	0.08 (2.0)	1.00 (25.4)

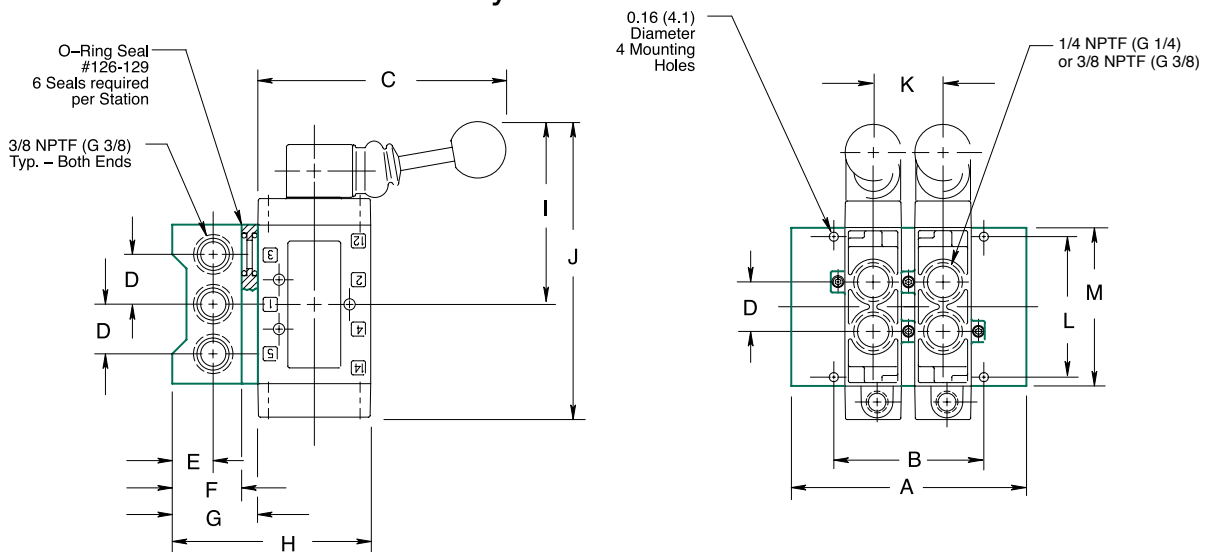
### Lever Rotation Procedure

The Numatics L22 & L23 Hand Lever Series allows for the rotation of the lever 90° to become parallel with the valve cylinder ports.

Remove (2) M3 socket head screws from lever bracket and rotate 90° in either direction. Re-assemble screws and tighten securely.



### Hand Lever Valve Manifold Assembly



### Dimensions

top dimensions = inches and bottom dimensions (in parenthesis) = millimeters

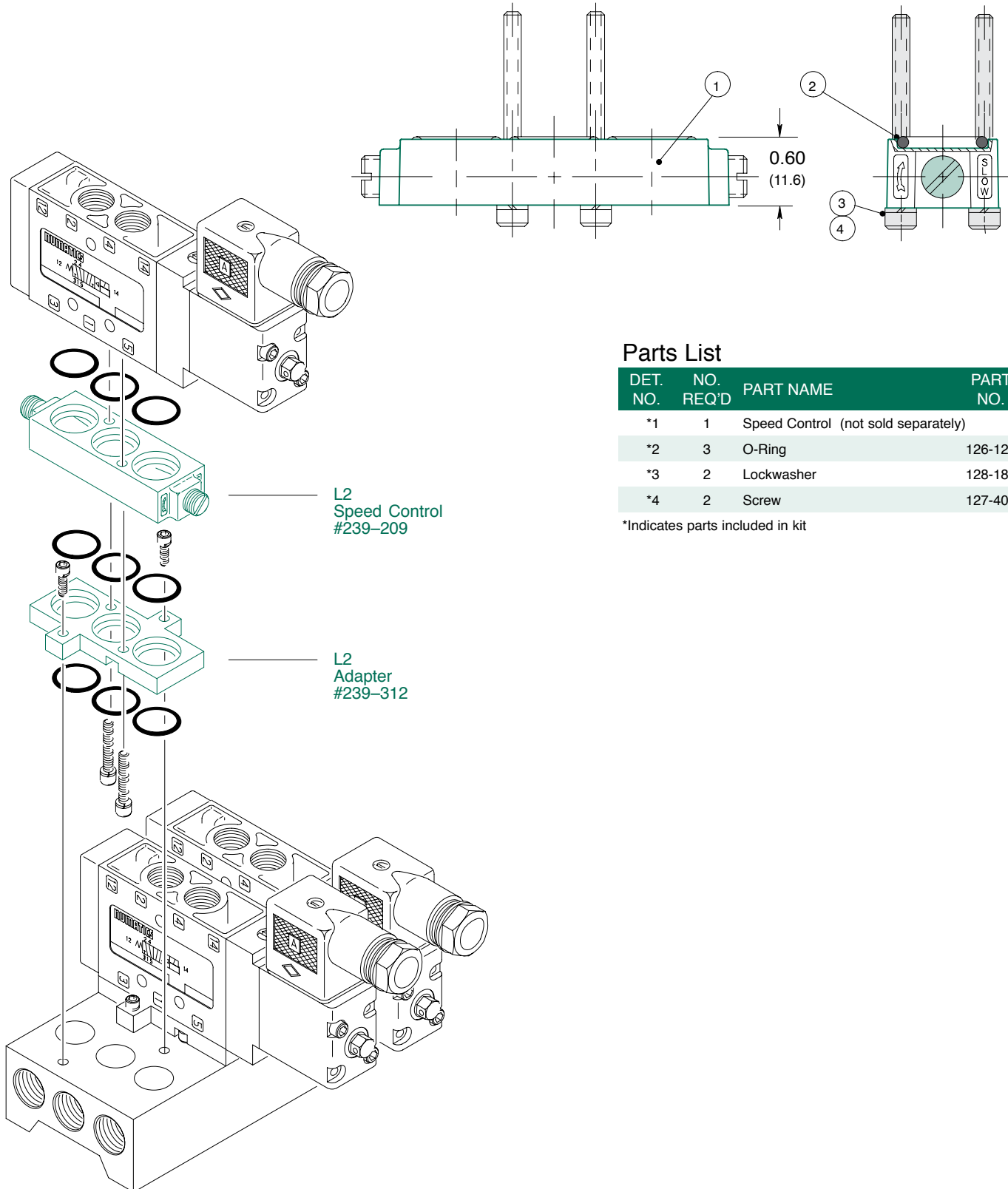
A	B	C	D	E	F	G	H	I	J	K	L	M
See chart on pg. 6	See chart on pg. 6	4.43 (112.5)	0.88 (22.4)	0.72 (18.3)	1.20 (30.5)	1.48 (37.6)	3.48 (88.4)	3.18 (80.8)	5.18 (131.6)	1.26 (32.0)	2.49 (63.2)	2.78 (70.6)



### Speed Control Kit

239-209

The L2 speed control mounts between any L2 Series valve and die cast adaptor using (3) O-rings from the speed control kit and (3) O-rings and (2) screws from the adaptor kit. This assembly then mounts to and 3-gallery manifold by using the remaining (3) O-rings and (2) screws from the adaptor kit.



### Parts List

DET. NO.	NO. REQ'D	PART NAME	PART NO.
*1	1	Speed Control (not sold separately)	
*2	3	O-Ring	126-129
*3	2	Lockwasher	128-188
*4	2	Screw	127-403

\*Indicates parts included in kit

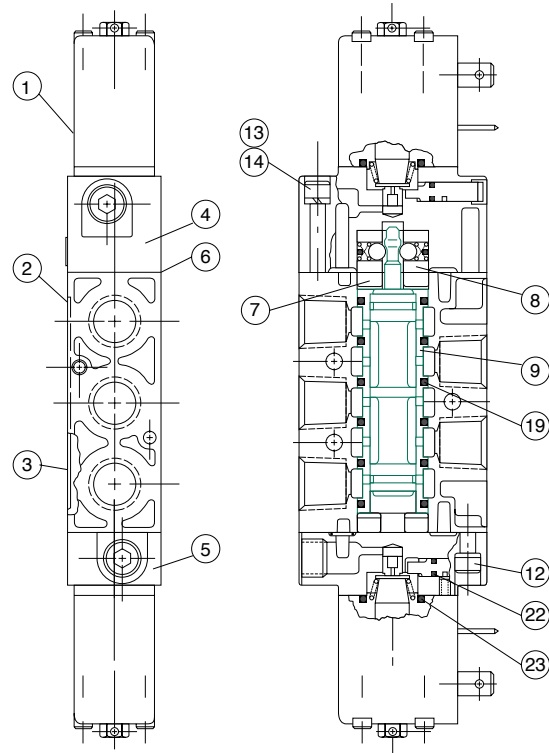
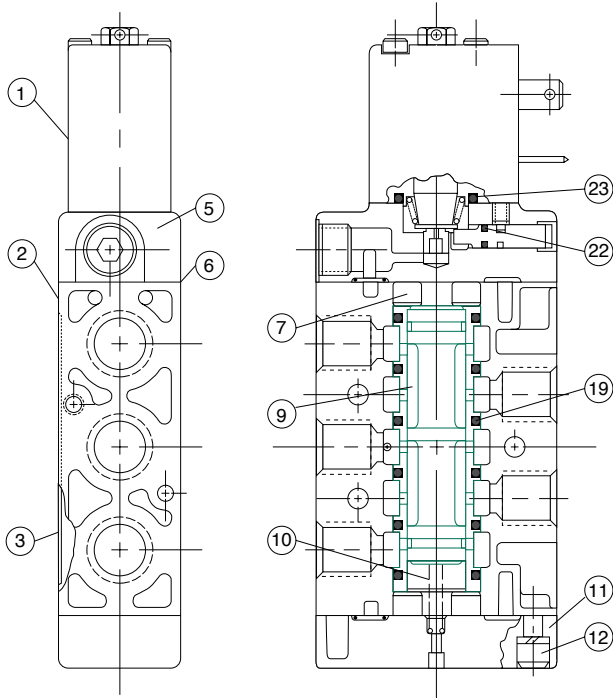


**Valve Service Kits and Parts – 2 Position**

**Solenoid-Pilot Actuated**

Kit No. L2-K1 (For Models L22BA4, L23BA4)

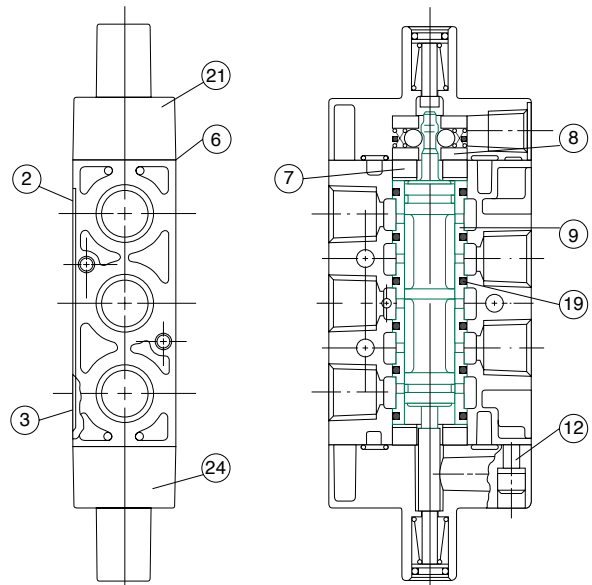
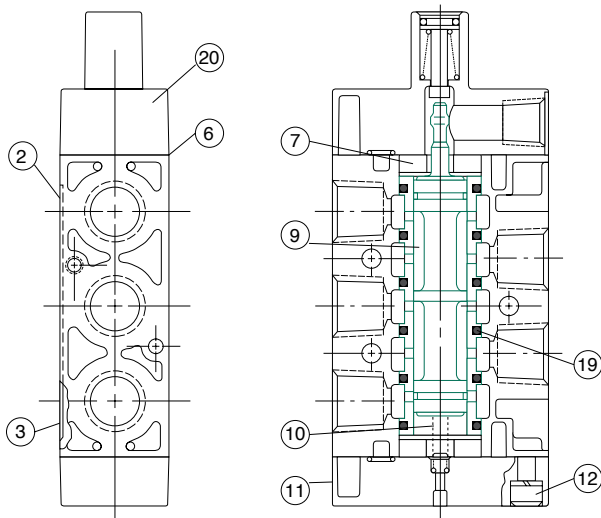
Kit No. L2-K2 (For Models L22BB4, L23BB4)



**Air-Pilot Actuated**

Kit No. L2-K1 (For Models L2\_PA4, L2\_JA4)

Kit No. L2-K2 (For Models L2\_PP4, L2\_JJ4)

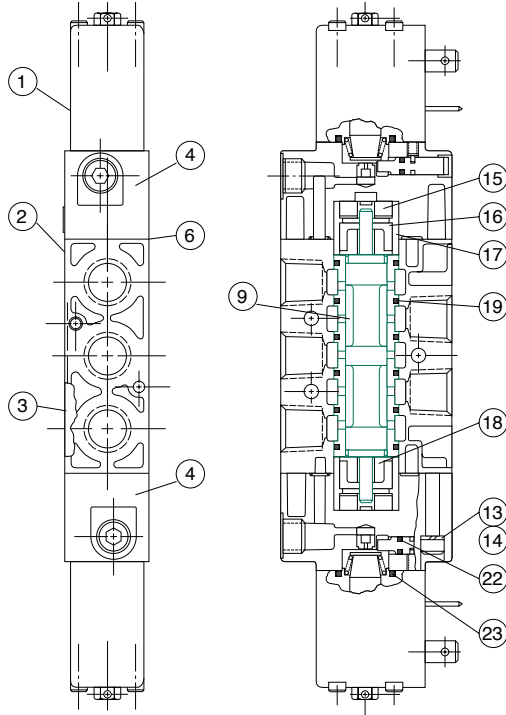




### Valve Service Kits and Parts – 3 Position

#### Solenoid-Pilot Actuated

Kit No. L2-K3 (For Models L2\_BB5, L2\_BB6, L2\_BB7)

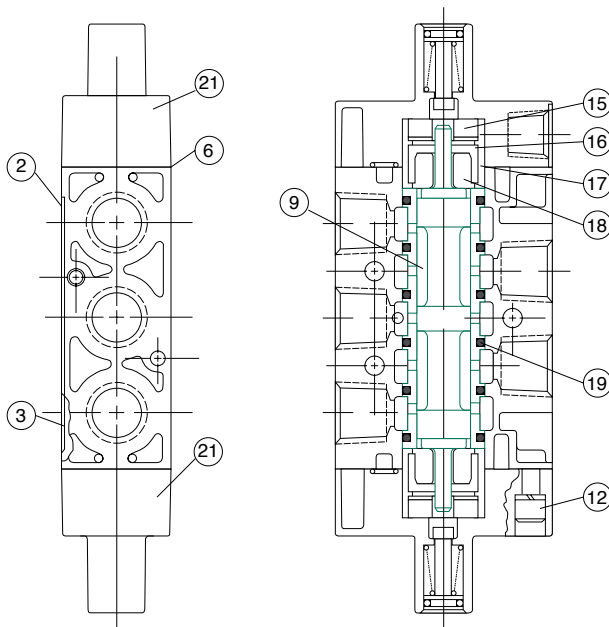


#### Parts List

DET. NO.	NO. REQ'D	PART NAME	PART NO.
1	1	Solenoid Capsule Assembly	See p. 14
2	1	Valve Body (not sold separately)	
3	1	Nameplate	122-940
4	>	Adaptor Assembly	219-129
5	1	Adaptor Assembly	219-127
6 *	2	Gasket	113-313
7 ~	2	Bumper	114-147
8 ***	1	Detent Assembly	210-116
9	1	Sleeve Assembly w/Seals ‡ for models: L2-BA4 L2-BB4, JA4, PA4 L2-BB5, JJ5, PP5 L2-BB6, JJ6, PP6 L2-BB7, JJ7, PP7	209-323 209-327 209-370 209-371 209-372
1( **	1	Spring	115-248
11	1	Spring Cover Assembly	204-393
12 <	<	Screw Assembly	127-396
13	•	Lockwasher	128-190
14	2	Screw	127-400
15****	2	Bumper	114-148
1(****	2	Spring	115-247
17****	2	Spacer	116-341
1(****	2	Spring Retainer	116-340
19*	6	O-Ring Seal	126-204
20	1	Pilot Cap Assembly	204-404
21	>	Pilot Cap Assembly	204-408
2( *	2	Seal (override)	126-163
23*	2	Seal (solenoid-pilot)	126-203
24	1	Pilot Cap Assembly	204-406

#### Air-Pilot Actuated

Kit No. L2-K3 (For Models L2\_PP5, L2\_PP6, L2\_PP7, L2\_JJ5, L2\_JJ6, L2\_JJ7)



\* indicates parts in L2-K1, L2-K2, and L2-K3

\*\* indicates part in L2-K1 only

\*\*\* indicates part in L2-K2 only

\*\*\*\* indicates part in L2-K3 only

~ indicates part in L2-K1 and L2-K2 only

‡ Spool & sleeve assemblies are precision matched sets & include (6) 126-204 seals; spools are not interchangeable.

> (1) for 2-position models; (2) for 3-position models

< (4) for L2-BA4, (2) for L2-BB4

• (2) for 2-position models; (4) for 3-position models



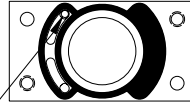
## L2 Series

### Internal / External Pilot Selection

NOTE: On double solenoid-pilot valves, both ends must be converted.

External pilot supply must be used if pressure is supplied to any port except No.1.

INTERNAL PILOT SUPPLY



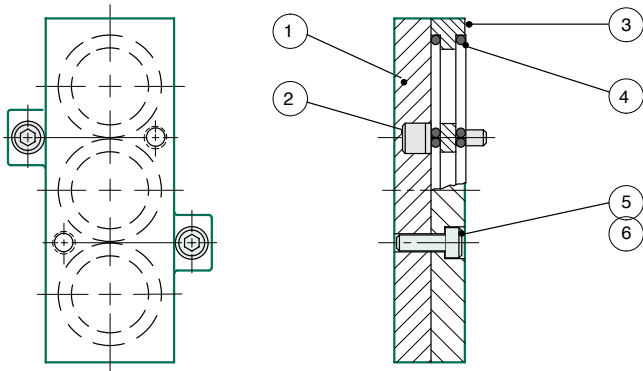
PILOT SUPPLY HOLE MUST BE VISIBLE BOTH ENDS

EXTERNAL PILOT SUPPLY



ROTATE GASKET TO COVER PILOT SUPPLY HOLE. REMOVE PIPE PLUG (PART NO. 129-100)

### Blank Station Plate Kit



MANIFOLD TYPE	PART NO.
Common Supply, Common Exhaust (shown)	239-471
Common Supply, Individual Exhaust (not shown)	229-990

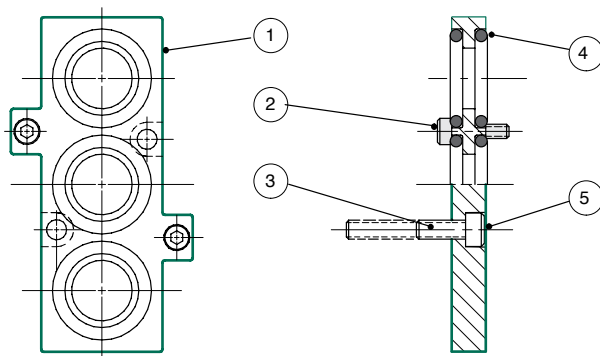
#### Parts List

DET. NO.	NO. REQ'D	PART NAME	239-471 PART NO.	229-990 PART NO.
1 *	1	Blank Station Plate (not sold separately)		
2 *	2	Screw Assembly	127-570	N/A
3 *	1	Adaptor (not sold separately)		
4 *	6	O-Ring	126-129	126-129
5 *	2	Screw	127-710	127-361
6 *	2	Lockwasher	128-190	128-188

\*Indicates parts included in kit

### Adaptor Kit

239-312

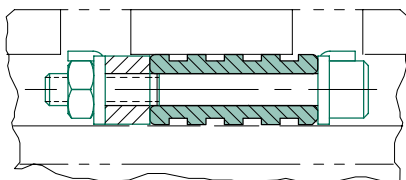


#### Parts List

DET. NO.	NO. REQ'D	PART NAME	PART NO.
1 *	2	Adaptor (not sold separately)	
2 *	2	Screw	127-577
3 *	2	Screw	127-570
4 *	6	O-Ring	126-129
5 *	2	Screw (shipped loose)	127-400

\*Indicates parts included in kit

### Blocking Plug Kit



MANIFOLD TYPE	PART NO.
Common Supply, Common Exhaust (shown)	239-516
Common Supply, Individual Exhaust (not shown)	239-250

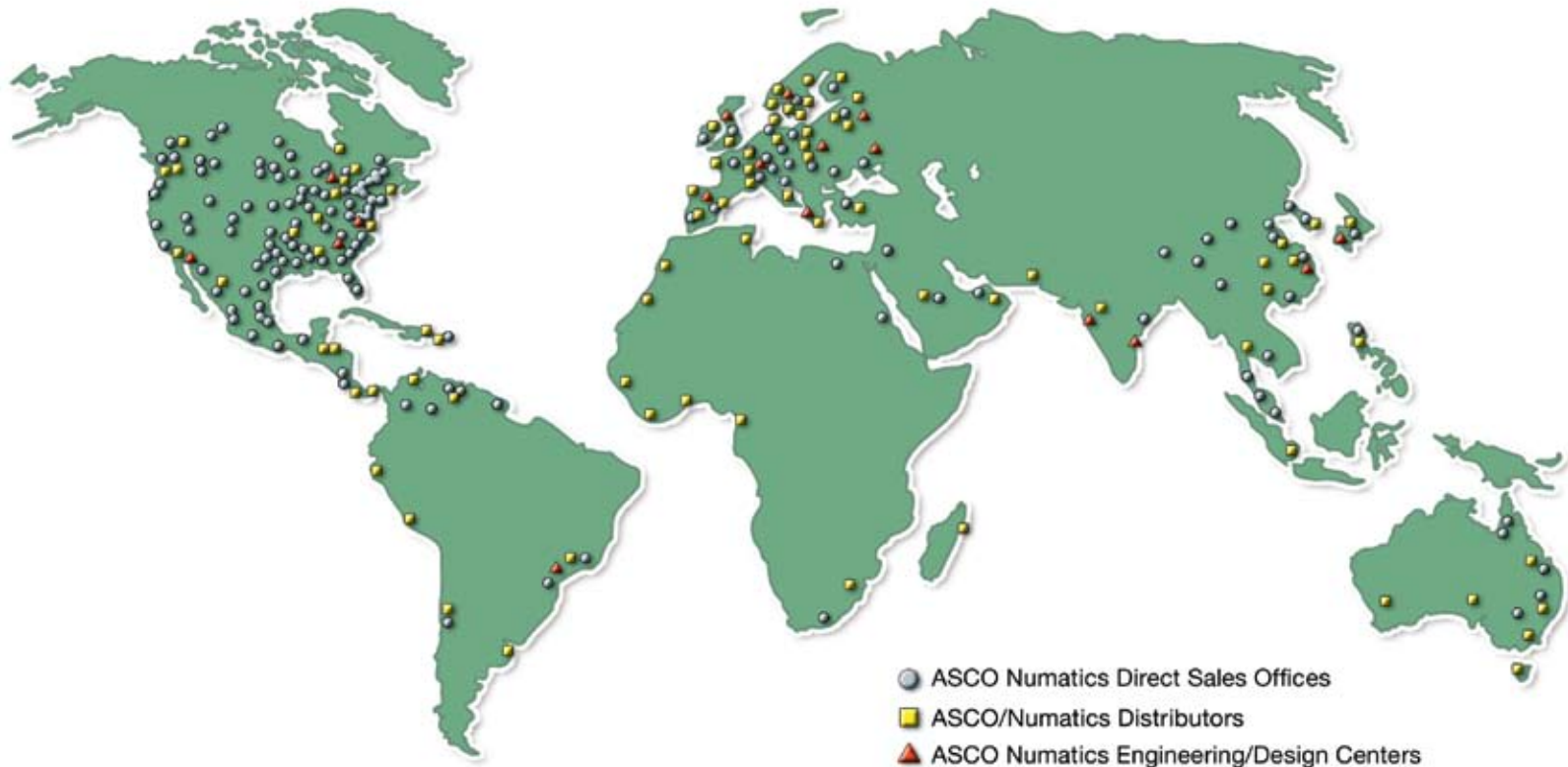
Kit includes (2) blocking plug spacer, rubber spacer, nut and screw

### Solenoid Assemblies

STANDARD VOLTAGES	100-115/50	200-240/50	24/50-60	12 VDC	24VDC
Part No.	237-569	237-570	237-568	226-737	226-749

# NUMATICS

*World Class Supplier  
of Pneumatic Components*



## WORLD HEADQUARTERS

### USA

#### Numatics, Incorporated

46280 Dylan Drive  
Novi, Michigan 48377

P: 1-888-Numatics  
1-888-686-2842

### Canada

#### Numatics, Ltd

P: 519-452-1777

### Mexico

#### Numatics de Mexico S.A. de C.V.

P: 52-222-284-6176

For a comprehensive listing of all Numatics production and distribution facilities worldwide, visit:

[www.numatics.com](http://www.numatics.com)