

CATALOG
grippers

PG6J80 Series

Six Jaw Gripper with Ejectors



NUMATICS®

PG6J80 <i>Series 6 Jaw Gripper with Ejectors</i>	3-5
Features and Benefits	3
How To Order	3
Dimensions and Specifications	4
Switch Information	5



The series 6 finger gripper design utilizes a dual acting piston to open and close gripper jaws. All six jaws are synchronized for accurate positioning. The included ejectors operate independent of the gripper jaws, providing a convenient method to strip parts from the jaws. An example of this could be, expanding an o-ring and pushing it on to the desired part.

A. Body

Hardcoat, anodized, Teflon impregnated aluminum, lightweight durable.

B. Jaws

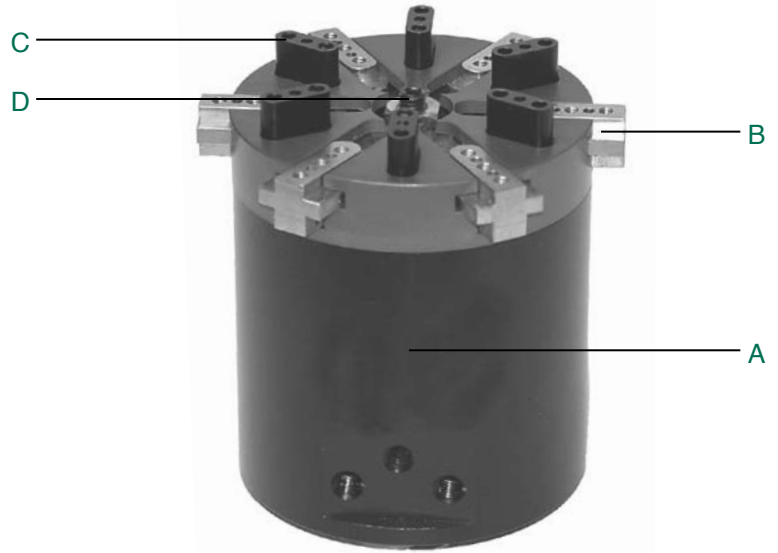
T-slot design for superior load bearing support, six jaws in synchronized parallel motion.

C. Ejectors

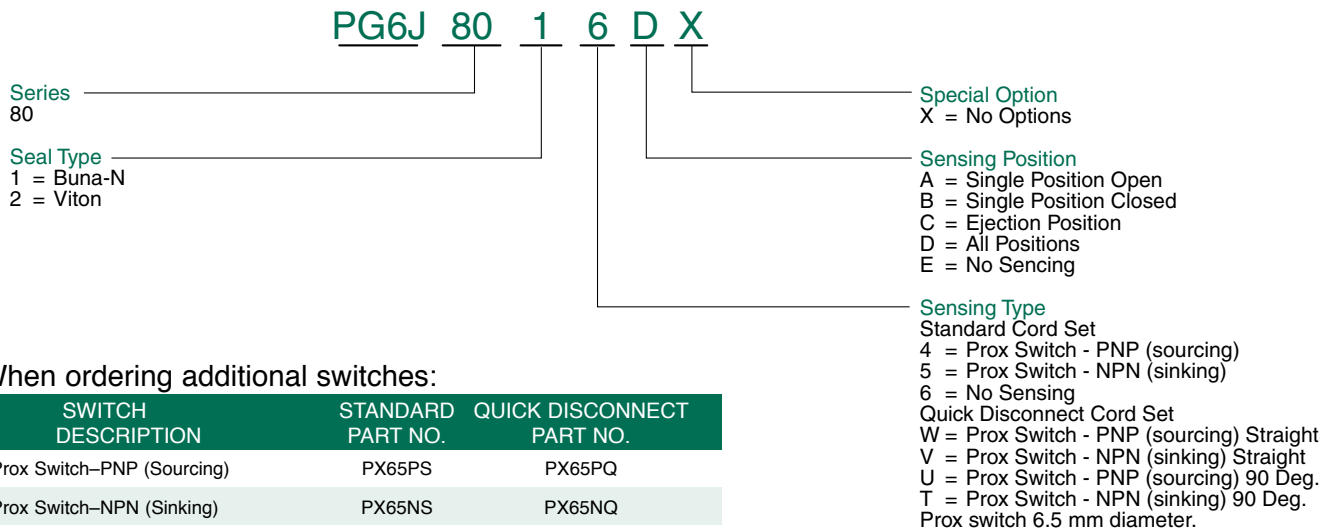
Independent motion from jaws. Single acting, air pressure to extend, spring return. All ejectors extend and retract together.

D. Stroke adjustment

Easy access stroke adjustment screw provides precise controllability of jaw travel. Locking jam nut secures adjusted position.



How to Order



When ordering additional switches:

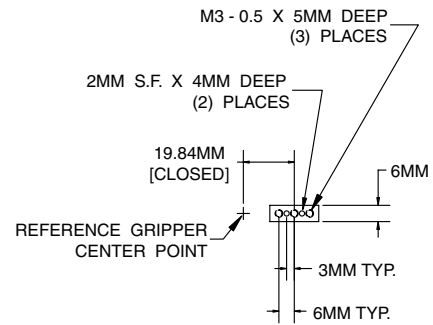
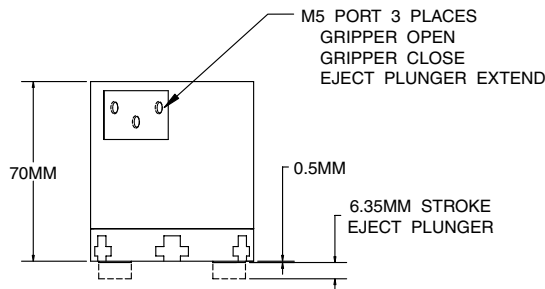
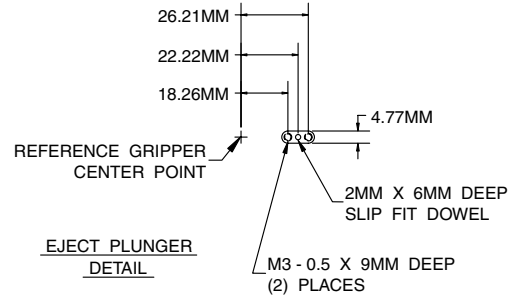
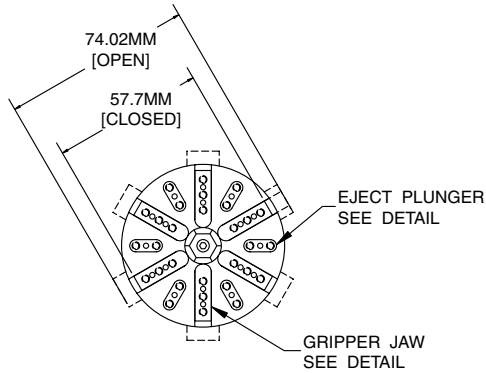
SWITCH DESCRIPTION	STANDARD PART NO.	QUICK DISCONNECT PART NO.
Prox Switch-PNP (Sourcing)	PX65PS	PX65PQ
Prox Switch-NPN (Sinking)	PX65NS	PX65NQ
Quick Disconnect Cable	-	PXCST
90° 5 meter cable	-	PXC90



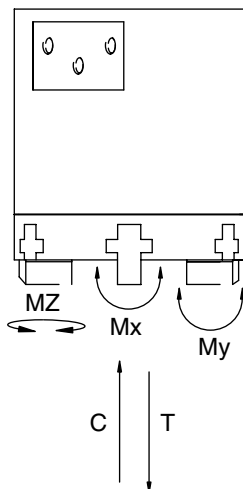
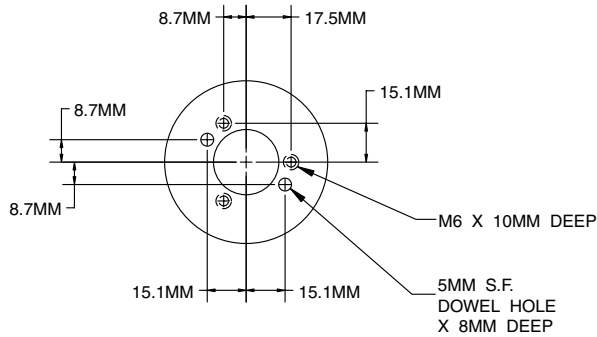
PG6J80 Series 6 Jaw Gripper with Ejectors

NUMATICS®

PG6J80 Series



GRIPPER JAW
DETAIL



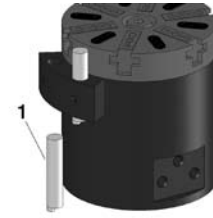
Specifications

	PG6J80
Grip force @ 100 psi	81 lb
Stroke (Spreading Jaw)	0.640 Adjustable
Stroke (Ejecting Jaws)	0.250
Repeatability	+/-0.002
Bore Dia.	1.0
Operating Temp.	
Buna-N	-30-180°F
Viton	-20-300°F
Max. Actuation Speed	0.2 Sec.
Unit Weight	1.25 lbs
Max. Pressure	150 psi
JAW LOADING	
C-Compression	60 lbs
T-Tension	60 lbs
Mx	60 in.-lbs.
My	60 in.-lbs.
Mz	60 in.-lbs.



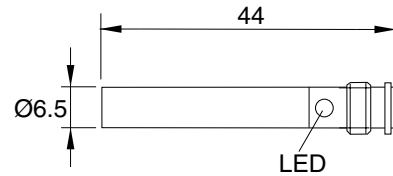
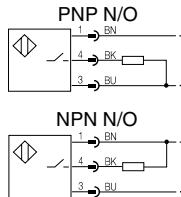
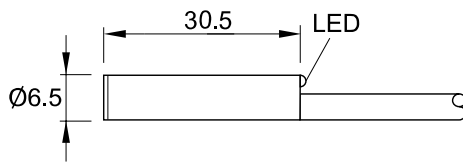
PG6J80 Series Switch Information

SWITCH OR BRACKET DESCRIPTION	STANDARD PART NO.	QUICK DISCONNECT PART NO.
1 Prox Switch PNP	PX65PS	PX65PQ
1 Prox Switch NPN	PX65NS	PX65NQ



Prox Switch (NPN NO) Flying Leads - PX65NS
(PNP NO) Flying Leads - PX65PS

Prox Switch (NPN NO) 8 mm connector - PX65NQ
(PNP NO) 8 mm connector - PX65PQ



Sensing Data

Repeat accuracy R		≤5%
Ambient temperature range t_d	(°C)	-25...+70°C
Operating frequency f	(Hz)	1000
Utilization categories	(DC)	13
Function indication		YES

Electrical Data

Rated operational voltage U_e	(V)	24 DC
Supply voltage U_B	(V)	10...30 DC
Voltage drop U_d at I_e Stat./dyn.	(V)	≤2.5
Rated insulation voltage U_i	(V)	75 VDC
Load current capacity	(mA)	200
Current consumption	(mA)	≤25 / ≤12
Off-State Current I_r	(µA)	≤80
Protected against polarity reversal		YES
Short circuit protected		YES
Load Capacitance	(µF)	≤1.00

Mechanical Data

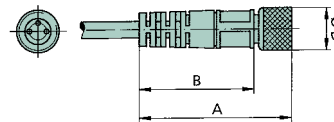
Degree of protection per IEC 529	IP 67
Housing material	stainless steel
Material of sensing face	PA 12
Connection	cable
No. of wires x gauge	3 x 26 AWG
Approvals	cULus

Female Connectors for Reed Switches and Hall Effect Sensors

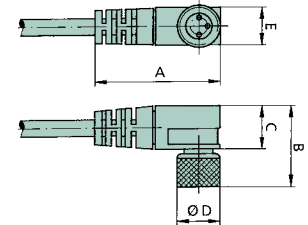
Dimensions (mm)

TYPE	ORDER CODE
Straight, 5 m Cable	PXCST
Elbow, 5 m Calbe	PXC90

Straight Type

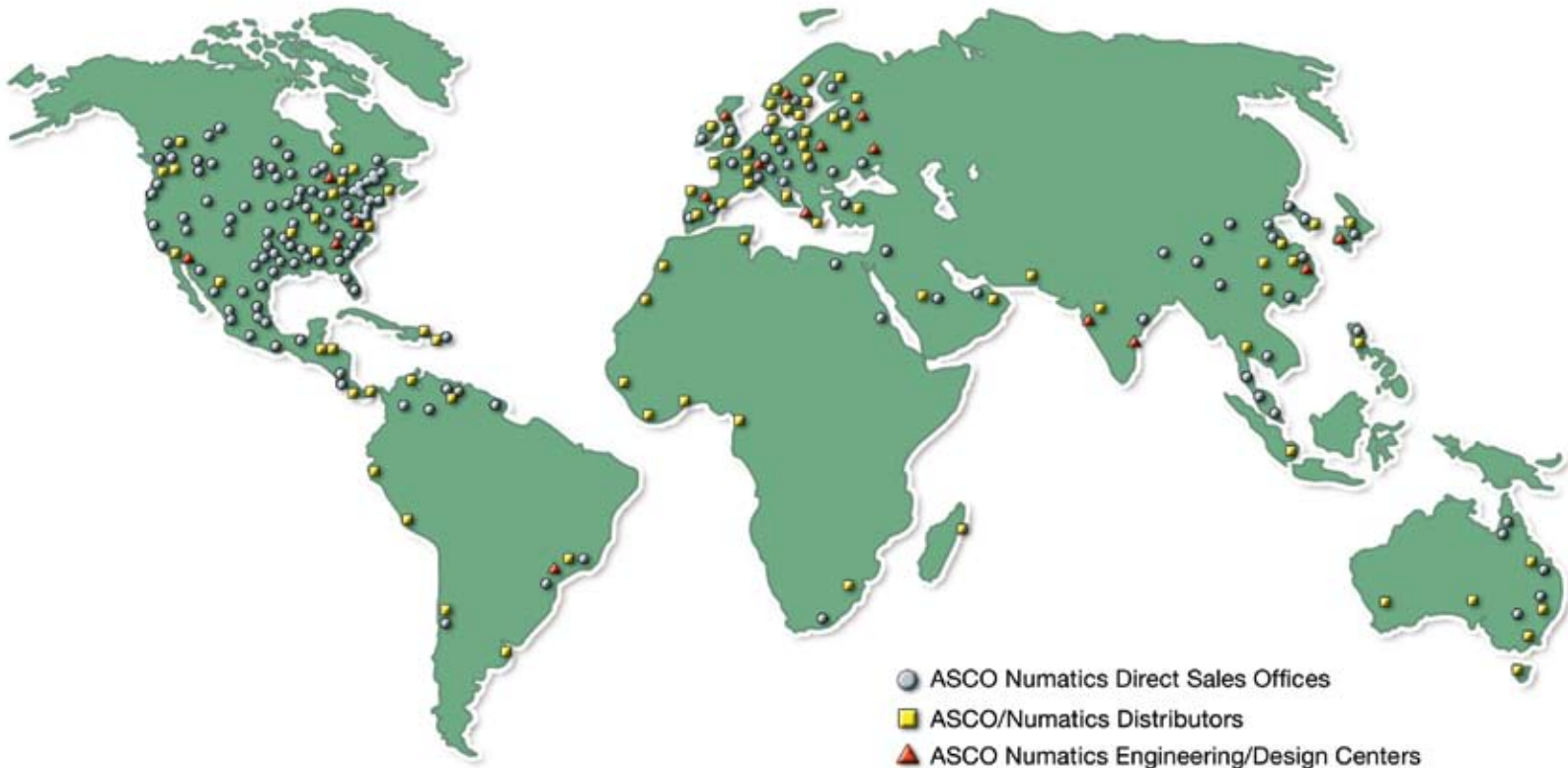


Elbow Type



NUMATICS

*World Class Supplier
of Pneumatic Components*



WORLD HEADQUARTERS

USA

Numatics, Incorporated

46280 Dylan Drive
Novi, Michigan 48377

P: 1-888-Numatics
1-888-686-2842

Canada

Numatics, Ltd

P: 519-452-1777

Mexico

Numatics de Mexico S.A. de C.V.

P: 52-222-284-6176

For a comprehensive listing of all Numatics production and distribution facilities worldwide, visit:

www.numatics.com