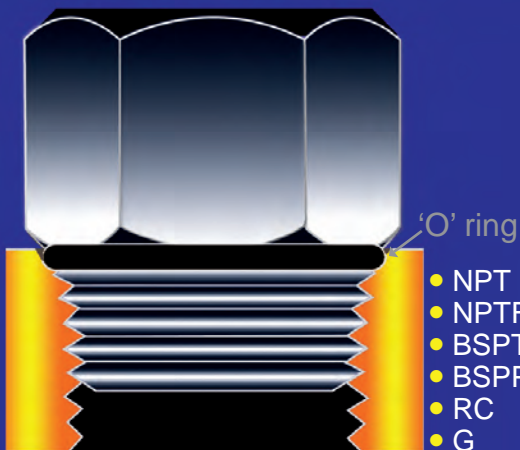


TRI THREAD FITTINGS

get connected!



Universal Thread Fittings from

pneuforce.com THE NEW FORCE IN FLUID POWER! 

TRI THREAD FITTINGS

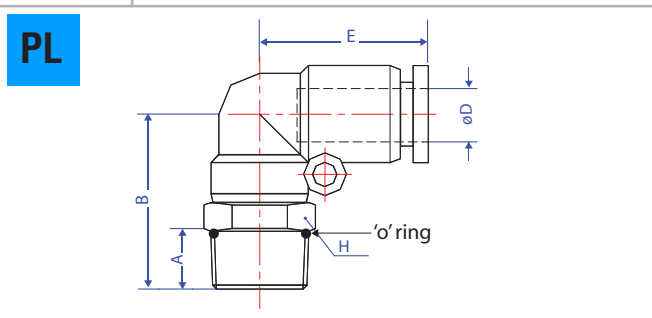
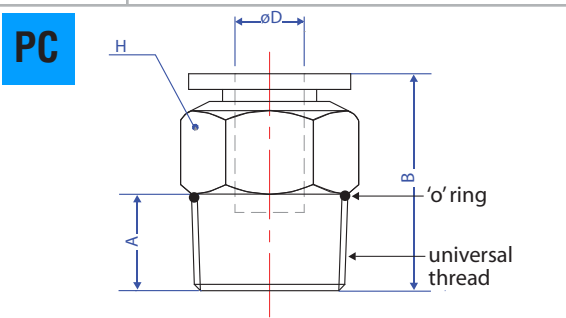
The pneuforce.com TRI THREAD fittings have been developed to help in the cross global sales of fluid power products. With most factories in North America using a mix of NPT (American) and BSPP (Europe and Asia) threads, there is some confusion as to what male threads should be used or stocked by fluid power users. Therefore the universal thread form of the TRI THREAD series has been developed to enable the connection of 1/8, 1/4, 3/8 and 1/2 male threads into the following female thread forms.

NPT
NPTF
BSPP (G)
BSPT (Rc)

Due to the design of this thread form the time taken to install the fittings has been dramatically decreased. The following procedure should be used when installing TRI THREAD fittings.

- By hand, screw the TRI THREAD fitting into the female thread until the O ring seal pushes against the face of the component.
- Using a suitably sized wrench, continue to tighten the fitting by turning clockwise by a further 1/4 turn.
- Unlike a tapered thread, the seal is made via an O ring seal which is captive in the TRI THREAD. It is not an interference fit like that of male and female tapered threads.
- The fittings are able to be re-used if the O ring seal is not damaged.

Fluid Medium Air, non corrosive gas or liquids
Working Pressure 0-150psi(g) / 0-10bar(g)
Vacuum Duty <29.5" Hg / 27mbar(a)
Working Temperature 32-140°F / 0-60°C



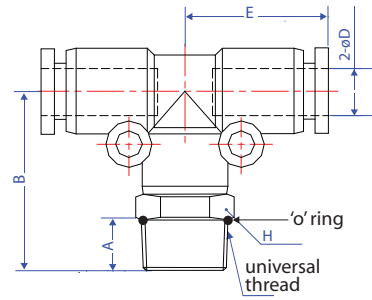
MODEL	ΦD	Thread	A	B	H
PC5/32-U01	5/32	1/8	7.5	19.8	10
PC5/32-U02		1/4	10.5	18.9	
PC1/4-U01	1/4	1/8	7.5	20.9	12
PC1/4-U02		1/4	10.5	23.7	
PC1/4-U03		3/8	11.0	21.2	
PC5/16-U01	5/16	1/8	7.5	25.9	14
PC5/16-U02		1/4	10.5	25.9	
PC5/16-U03		3/8	11.0	22.4	
PC3/8-U01	3/8	1/8	7.5	28.2	17
PC3/8-U02		1/4	10.5	30.5	
PC3/8-U03		3/8	11.0	27.5	
PC3/8-U04		1/2	14.0	25.8	
PC1/2-U02	1/2	1/4	10.5	33.9	20
PC1/2-U03		3/8	11.0	30.4	
PC1/2-U04	1/2	14.0	33.4	21	

MODEL	ΦD	Thread	A	B	E	H
PL5/32-U01	5/32	1/8	7.5	19.8	17.5	10
PL5/32-U02		1/4	10.5	28.0		14
PL1/4-U01	1/4	1/8	7.5	25.7	19.0	12
PL1/4-U02		1/4	10.5	29.2		14
PL1/4-U03		3/8	11.0	30.2		17
PL5/16-U01	5/16	1/8	7.5	29.5	22.8	14
PL5/16-U02		1/4	10.5	32.5		
PL5/16-U03		3/8	11.0	33.5		
PL3/8-U01	3/8	1/8	7.5	34.3	26.3	17
PL3/8-U02		1/4	10.5	37.3		
PL3/8-U03		3/8	11.0	37.8		
PL3/8-U04		1/2	14.0	41.3		
PL1/2-U02	1/2	1/4	10.5	39.5	29.6	21
PL1/2-U03		3/8	11.0	40.0		
PL1/2-U04	1/2	14.0	43.0			

TRI THREAD FITTINGS

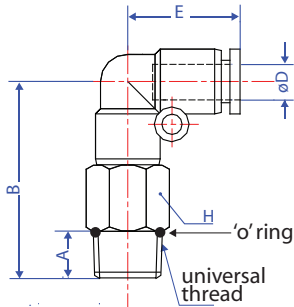


PB



MODEL	ΦD	Thread	A	B	E	H
PB5/32-U01	5/32	1/8	7.5	25.0	18.5	10
PB5/32-U02		1/4	10.5	29.0		14
PB1/4-U01	1/4	1/8	7.5	26.0	19.3	12
PB1/4-U02		1/4	10.5	29.5		14
PB1/4-U03		3/8	11.0	30.5		17
PB5/16-U01	5/16	1/8	7.5	29.45	22.75	14
PB5/16-U02		1/4	10.5	32.45		27.0
PB5/16-U03		3/8	11.0	33.45		
PB3/8-U01	3/8	1/8	7.5	35.0	27.0	17
PB3/8-U02		1/4	10.5	38.0		
PB3/8-U03		3/8	11.0	38.5		21
PB3/8-U04		1/2	14.0	42.0		
PB1/2-U02	1/2	1/4	10.5	39.5	29.6	21
PB1/2-U03		3/8	11.0	40.0		
PB1/2-U04		1/2	14.0	43.0		

PLL

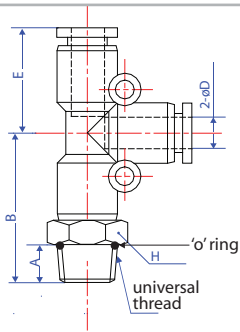


MODEL	ΦD	Thread	A	B	E	H
PLL5/32-U01	5/32	1/8	7.5	36.0	17.5	10
PLL1/4-U01	1/4	1/8	7.5	39.7	19.0	12
PLL1/4-U02		1/4	10.5	43.2		14
PLL1/4-U03		3/8	11.0	44.2		17
PLL5/16-U01	5/16	1/8	7.5	44.8	22.8	14
PLL5/16-U02		1/4	10.5	47.8		26.3
PLL5/16-U03		3/8	11.0	48.8		
PLL3/8-U02	3/8	1/4	10.5	56.3	26.3	17
PLL3/8-U03		3/8	11.0	57.8		
PLL3/8-U04		1/2	14.0	61.3		
PLL1/2-U02	1/2	1/4	10.5	62.5	29.6	21
PLL1/2-U03		3/8	11.0	63.0		
PLL1/2-U04		1/2	14.0	66.0		

TRI THREAD FITTINGS

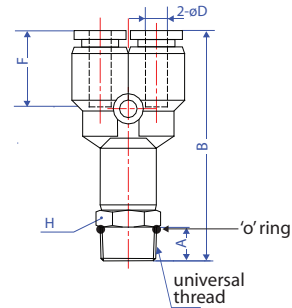


PD



MODEL	ΦD	Thread	A	B	E	H
PD5/32-U01	5/32	1/8	7.5	25.0	18.5	10
PD5/32-U02		1/4	10.5	29.0		14
PD1/4-U01	1/4	1/8	7.5	26.0	19.3	12
PD1/4-U02		1/4	10.5	29.5		14
PD1/4-U03		3/8	11.0	30.5		17
PD5/16-U01	5/16	1/8	7.5	29.45	22.75	14
PD5/16-U02		1/4	10.5	32.45		
PD5/16-U03		3/8	11.0	33.45		
PD3/8-U01	3/8	1/8	7.5	35.0	27.0	17
PD3/8-U02		1/4	10.5	38.0		
PD3/8-U03		3/8	11.0	38.5		
PD3/8-U04		1/2	14.0	42.0		
PD1/2-U02	1/2	1/4	10.5	39.5	29.6	21
PD1/2-U03		3/8	11.0	40.0		
PD1/2-U04		1/2	14.0	43.0		

PX



MODEL	ΦD	Thread	A	B	E	H
PX5/32-U01	5/32	1/8	7.5	42.0	14	10
PX5/32-U02		1/4	10.5	46.0		14
PX1/4-U01	1/4	1/8	7.5	43.8	14.3	12
PX1/4-U02		1/4	10.5	47.3		14
PX1/4-U03		3/8	11.0	48.3		17
PX5/16-U01	5/16	1/8	7.5	47.1	18.2	14
PX5/16-U02		1/4	10.5	50.1		
PX5/16-U03		3/8	11.0	51.1		
PX3/8-U01	3/8	1/8	7.5	55.1	19.5	17
PX3/8-U02		1/4	10.5	58.1		
PX3/8-U03		3/8	11.0	58.6		
PX3/8-U04		1/2	14.0	62.1		
PX1/2-U02	1/2	1/4	10.5	63.1	21.6	21
PX1/2-U03		3/8	11.0	63.6		
PX1/2-U04		1/2	14.0	66.6		

The world of Pneuforce!

ACTUATORS



pneuforce.com

CONNECTORS



pneuforce.com

FITTINGS



pneuforce.com

AIR PREPARATION



pneuforce.com

VACUUM



pneuforce.com

Contact your local distributor

pneuforce.com

a brand of Vacuforce Inc.

Buffalo, NY USA
Toronto, ON Canada

Tel: 1-866-280-3766
Fax: 1-866-280-4829

www.vacuforce.com
sales@vacuforce.com

VALVES



pneuforce.com

GAUGES



pneuforce.com

ACCESSORIES



Discover our world of accessories at **pneuforce.com**