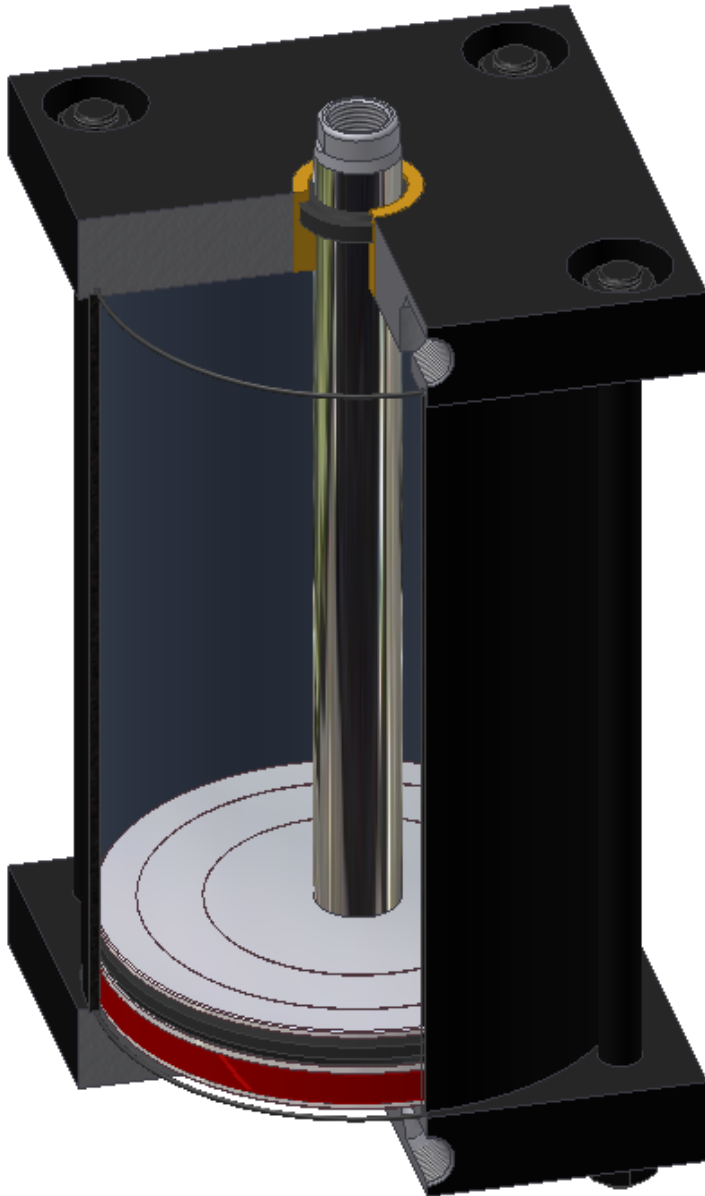


SV

SERIES



AIR CYLINDER/VALVE ACTUATOR

Manufactured for various types of valves such as knife gate, wedge gate, globe and pinch.

The **SV** series is manufactured to our customers specifications with various mounting options, thread options and material options to suit any environment and application.

Bore sizes ranging from 3.25" up to 20"

All cylinders are factory tested before delivery

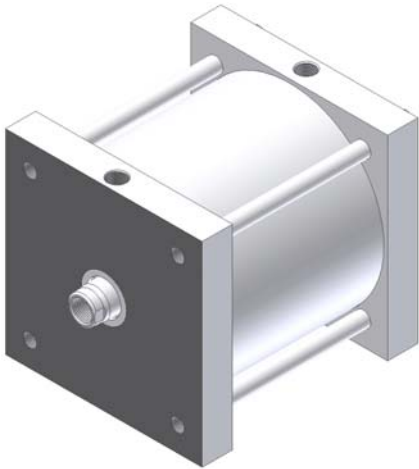
Special cylinders can be manufactured to any customer specifications. If volume permits SNS can provide a sample cylinder free of charge for customer to put in use.

Please contact factory for information regarding special design cylinders.



SV SERIES TABLE OF CONTENTS. Pages: F-1 to F-6

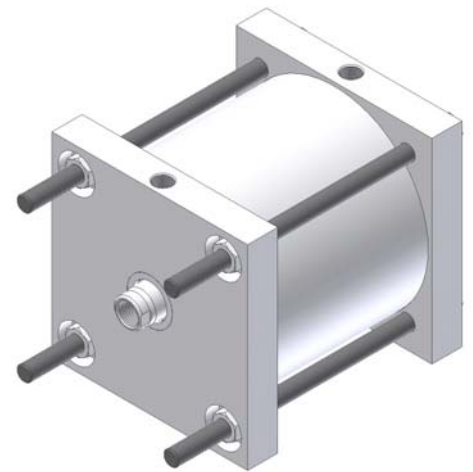
SV SERIES:	CYLINDER CONSTRUCTION	PG. F-2	
SV SERIES:	HOW TO ORDER	PG. F-3	
SV SERIES:	FIG 3 SPECIAL OPTIONS	PG. F-4	
CODE:	MOUNT:	DESCRIPTION:	
T	MX0	Basic Mount	PG. F-5
TB	MX3	Extended Tie Rods	PG. F-6
JE	ME3	Square Flange	PG. F-6
SV SERIES	STYLE "4" ROD THREAD	PG. F-5	
SV SERIES	STYLE "9" ROD THREAD	PG. F-5	



MX0 MOUNT—PG. F-5



ME3 MOUNT—PG. F-6



MX3 MOUNT—PG. F-6

2" BORE UPTO 24" BORE





SV SERIES CYLINDER

250 PSI PNEUMATIC VALVE ACTUATION : 2" BORE UPTO 20"

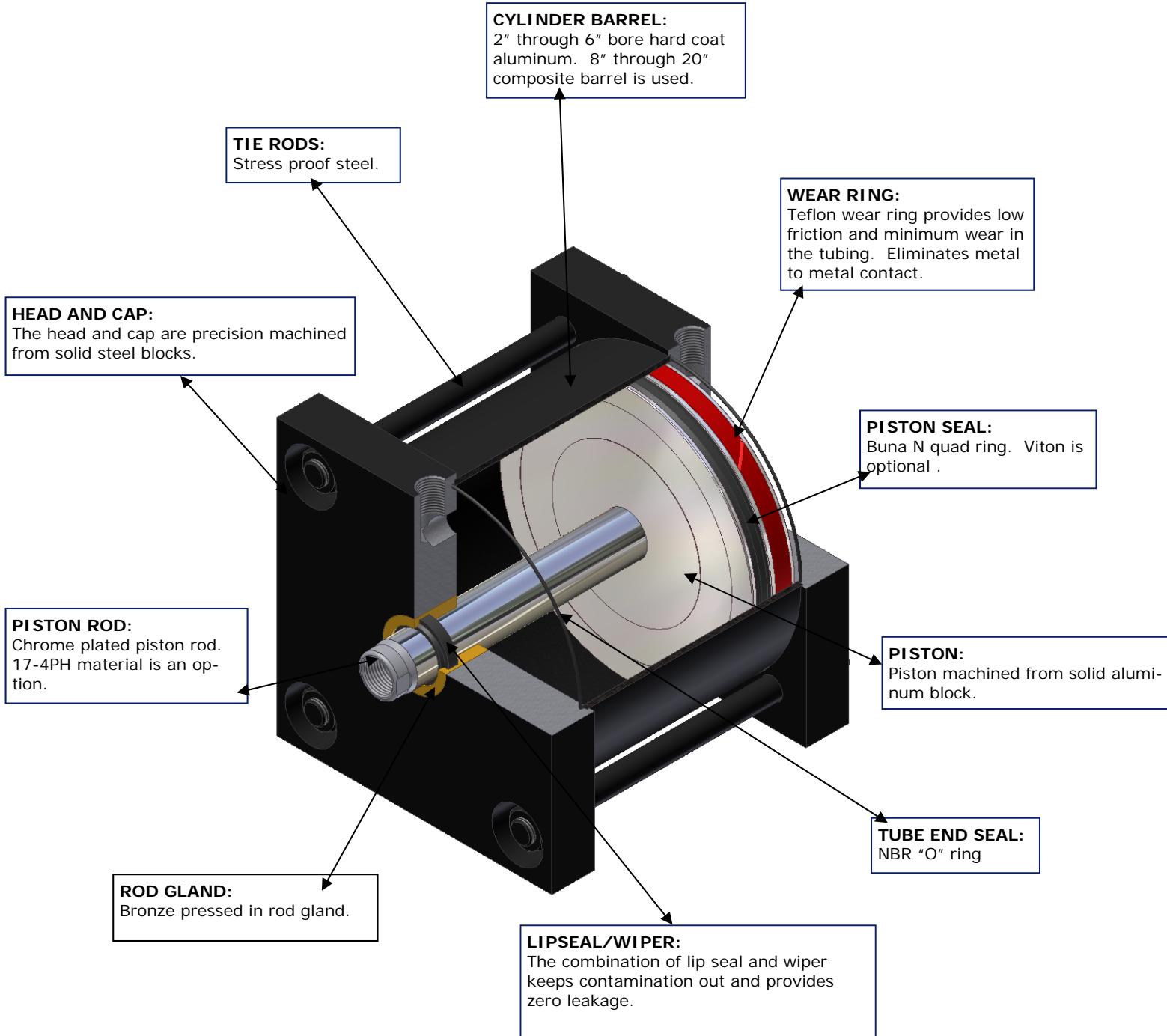




FIG 3

SPECIAL CYLINDER OPTIONS: X OPTIONS

The following list is the complete set of cylinder options and extras. All options do not apply to all cylinders. Each option that applies to the series of cylinder will be designated with ** to show that it applies to that series. All other options without this designation do not apply to that cylinder and cannot be ordered with that series.

CYLINDER SERIES: SV

ROD EXTENSIONS and STOP TUBE:

X43—Extension on rod thread (ex: X43-2.00) Specifies 2" thread extension**
X44—Extension on rod plain (ex: X44-2.00) Specifies 2" rod plain extension**

X14—Stop Tube (ex: X14-6.00) Specifies 6" stop tube. When specifying stop tube length, add length of stop tube to NET stroke of cylinder. (ex: 5" net stroke + 2" stop Tube = 7" complete stroke on cylinder)

Ex cylinder model number: 1.50TSH1.00-4-7.00-X14-2.00. Net stroke is 5" and stop Tube is 2".

SEAL/CUSHION OPTIONS:

X1—Cast Iron rings (Piston)
X2—Viton seals (for high temperature)**
X4—Low temperature seals (-65F)**
X30—Metallic Rod wiper
X10—No Cushions
X38—No Cushion on Cap only
X39—No Cushion on Head only

ACCESSORY OPTIONS:

X5—Cylinder rod lock
X8—Nylon Rod Boot**
X9—Neoprene Rod Boot**
X23—Lifting Eye attached to cylinder Cap**

ROD OPTIONS:

X3—Stainless Steel Piston Rod**
X8—Nylon Rod Boot**
X9—Neoprene Rod Boot**
X11—Nitrated Piston Rod**
X31—17-4PH Piston Rod**

CYLINDER FUNCTION OPTIONS:

X25—Spring Return**
X26—Spring Extend**
X40—High load Piston

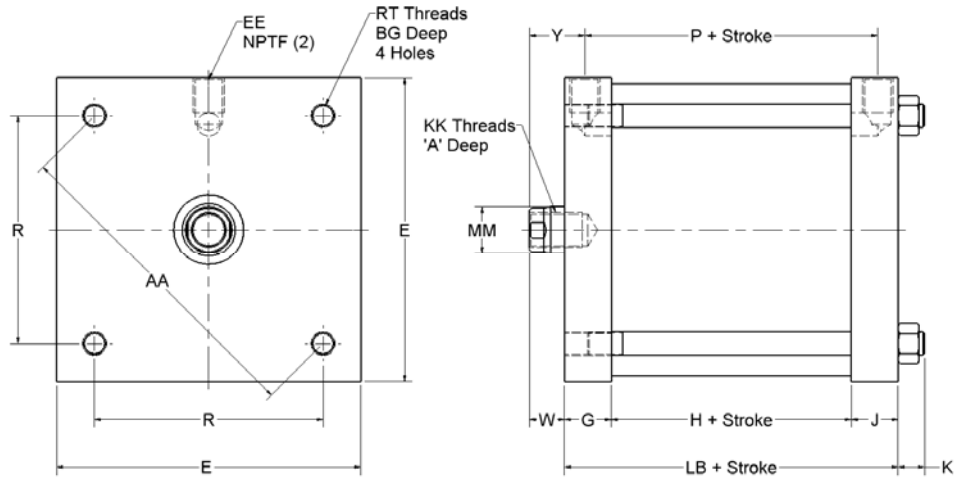
PORT/CUSHION OPTIONS:

X21—Bleeder port on Cap. Choose position. Ex: X21-P2 = Bleeder port on Pos 2
X22—Bleeder port on Head. Choose position. Ex: X22-P3 = Bleeder port on Pos 3.
X28—Undersize port on Cap. Specify port size. Ex: X28-SAE6
X29—Undersize port on Head. Specify port size. Ex: X29-SAE6
X33—Oversize port on Cap. Specify port size. Ex: X33-1"NPT
X34—Oversize port on Head. Specify port size. Ex: X34-1"NPT
X35—Cushion location change on Cap. Choose position. Ex: X35-P2 = Cushion on Pos 2.
X36—Cushion location change on Head. Choose position. Ex: X36-P1 = Cushion on Pos 1.
X41—Port location change on Cap. Choose position. Ex: X41-P3 = Port on Pos 3.**
X42—Port location change on Head. Choose position. Ex: X42-P4 = Port on Pos 4.**



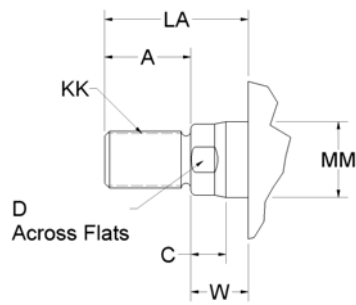


MOUNT: MXO



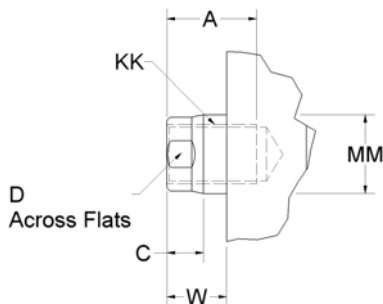
* = ADD STROKE

BORE	MM	KK	A	AA	BG	E	EE	G	J	K	RT	W	LB*	H*	P*
3.25	1	5/8-18	1 1/2	3.90	5/8	3 3/4	1/4	1	1	3/8	3/8-24	3/4	3	1	2
4.00	1	5/8-18	1 1/2	4.70	5/8	4 1/2	1/4	1	1	3/8	3/8-24	3/4	3	1	2
5.00	1	5/8-18	1 1/2	5.80	1/2	5 1/2	1/4	1	1	1/2	1/2-20	3/4	3 1/8	1 1/8	2 1/8
6.00	1	5/8-18	1 1/2	6.90	1/2	6 1/2	1/4	1	1	1/2	1/2-20	3/4	3 1/8	1 1/8	2 1/8
7.00	1	5/8-18	1 1/2	8.10	5/8	7 1/2	3/8	1 1/4	1 1/4	5/8	5/8-18	3/4	3 3/4	1 1/4	2 1/2
8.00	1	5/8-18	1 1/2	9.10	5/8	8 1/2	3/8	1 1/4	1 1/4	5/8	5/8-18	3/4	3 3/4	1 1/4	2 1/2
10.00	1 3/8	1-14	2	11.20	3/4	10 5/8	3/8	1 1/2	1 1/2	3/4	3/4-16	1	4 3/4	1 3/4	3 1/4
12.00	1 3/8	1-14	2	13.30	3/4	12 3/4	1/2	1 1/2	1 1/2	3/4	3/4-16	1	4 3/4	1 3/4	3 1/4
14.00	1 3/8	1-14	2	15.40	7/8	14 3/4	1/2	1 3/4	1 3/4	7/8	7/8-14	1	5 1/2	2	3 3/4
16.00	2	1 1/2-12	2 1/2	17.80	-	17	1/2	1 3/4	1 3/4	1	1-14	1 1/2	5 5/8	2 1/8	3 7/8
18.00	2	1 1/2-12	2 1/2	20.00	-	19	3/4	1 3/4	1 3/4	1 1/8	1 1/8-12	1 1/2	5 7/8	2 3/8	4 1/8
20.00	2	1 1/2-12	2 1/2	22.30	-	21	3/4	1 3/4	1 3/4	1 1/4	1 1/4-12	1 1/2	6 1/8	2 5/8	4 3/8



TYPE "4" MALE THREAD

MM	KK	A	LA	W	C	D
1	3/4-16	1 1/8	1 7/8	3/4	1/2	7/8
13/8	1-14	1 5/8	2 5/8	1	5/8	1 1/8
2	1 1/2-12	2 1/4	3 3/4	1 1/2	7/8	1 11/16

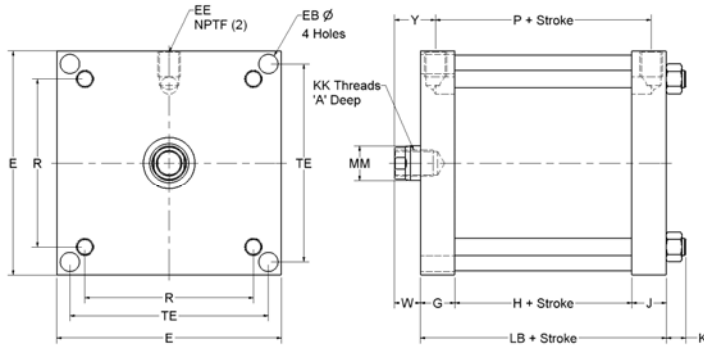


TYPE "9" FEMALE THREAD



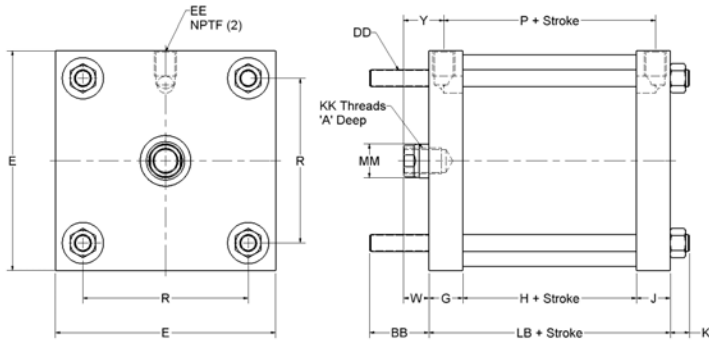


MOUNT: ME3 (+MX0)



BORE	TE	EB	BB	DD	R
3.25	-	-	1 3/8	3/8-24	2.76
4.00	-	-	1 3/8	3/8-24	3.32
5.00	-	-	1 3/4	1/2-20	4.10
6.00	-	-	1 3/4	1/2-20	4.88
7.00	6.75	9/16	2	5/8-18	5.73
8.00	7.57	11/16	2	5/8-18	6.44
10.00	9.40	13/16	2 1/4	3/4-16	7.92
12.00	11.10	13/16	2 1/4	3/4-16	9.40
14.00	12.87	15/16	2 1/2	7/8-14	10.90
16.00	14.85	1 1/16	2 3/4	1-14	12.59
18.00	16.69	1 3/16	3 1/4	1 1/8-12	14.14
20.00	18.46	1 5/16	3 1/4	1 1/8-12	15.77

MOUNT: MX3 (+MX0)



SV SERIES MANUFACTURED FOR FOLLOWING VALVE TYPES:

- KNIFE GATE
- WEDGE GATE
- PINCH
- GLOBE

CYLINDER OPTIONS AVAILABLE:

- STAINLESS STEEL PISTON RODS
- NITRATED PISTON RODS
- DOUBLE END CYLINDER
- VITON SEALS
- SPRING RETURN/EXTEND
- SPECIAL MOUNTING OR EXTERIOR FINISH

