

★ *Snap-Tite*

Ultra
High
Pressure
Couplings

73
SERIES



★ Snap-tite 73 Series — Ultra High Pressure Couplings

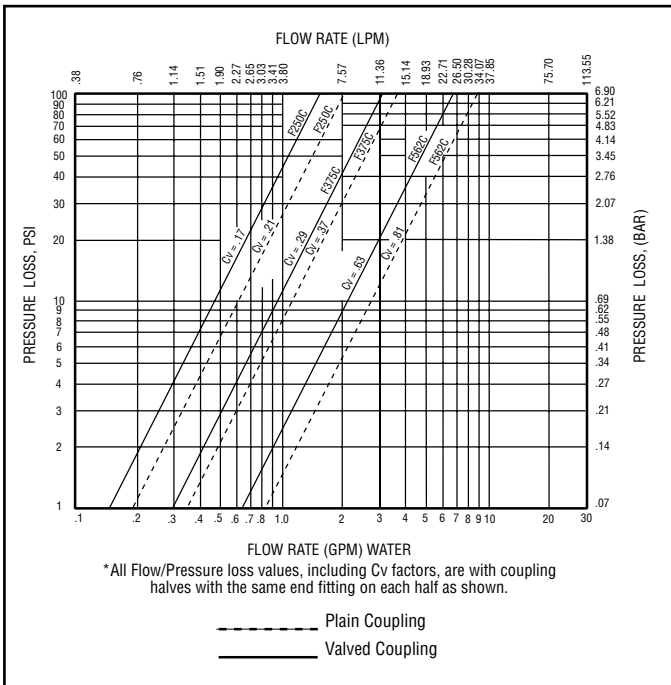
Featuring...Snap-tite quality with superior pressure and flow characteristics over the competition.



- Rugged heavy duty construction with superior flow characteristics.
- Designed for operating pressures to 43,500 psi (3000 bar).
- Stainless steel construction.
- Positive locking collar prevents accidental disconnection.
- Available in 1/4" size.

The 73 Series is designed specifically for waterjet, waterblast, oilfield injection and test systems where ultra-high pressures are common place.

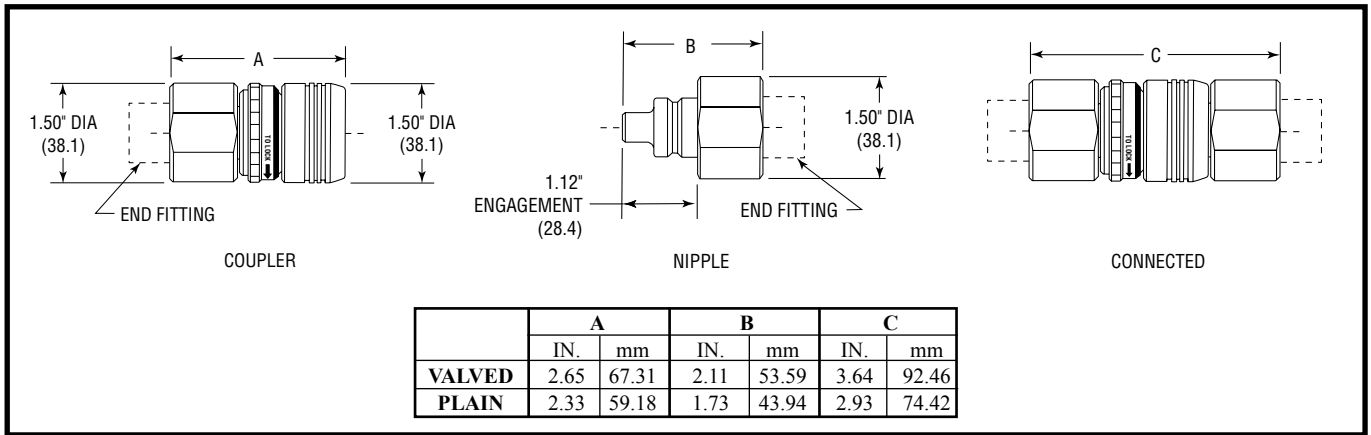
PRESSURE DROP*



PRESSURE RATINGS

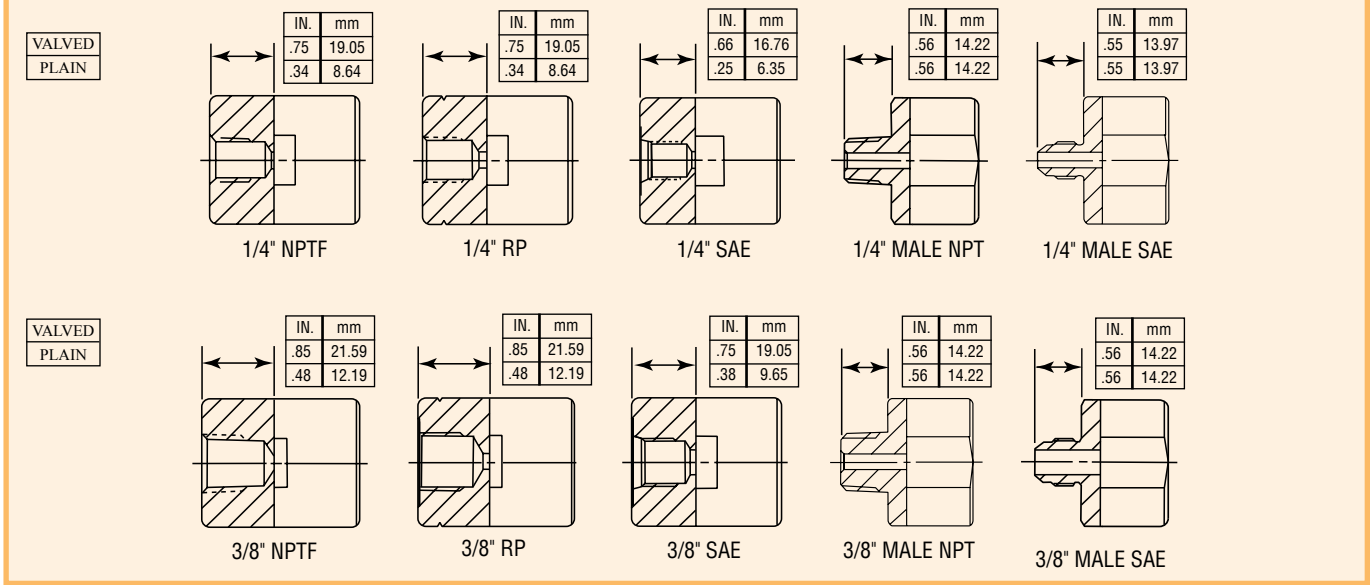
SIZE (inches)	STAINLESS STEEL			
	MAX. WORKING		MIN. BURST	
	PSI	BAR	PSI	BAR
1/4"	43,500	3000	87,000	6000

TECHNICAL AND DIMENSIONAL INFORMATION

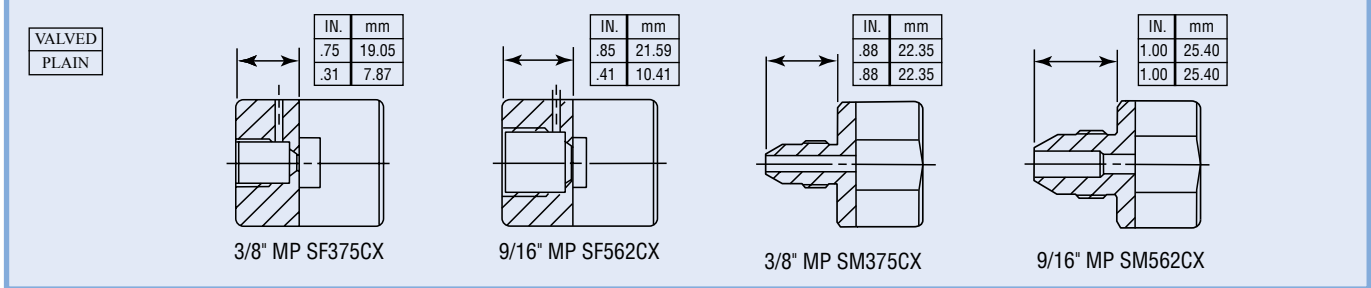


AVAILABLE END FITTINGS

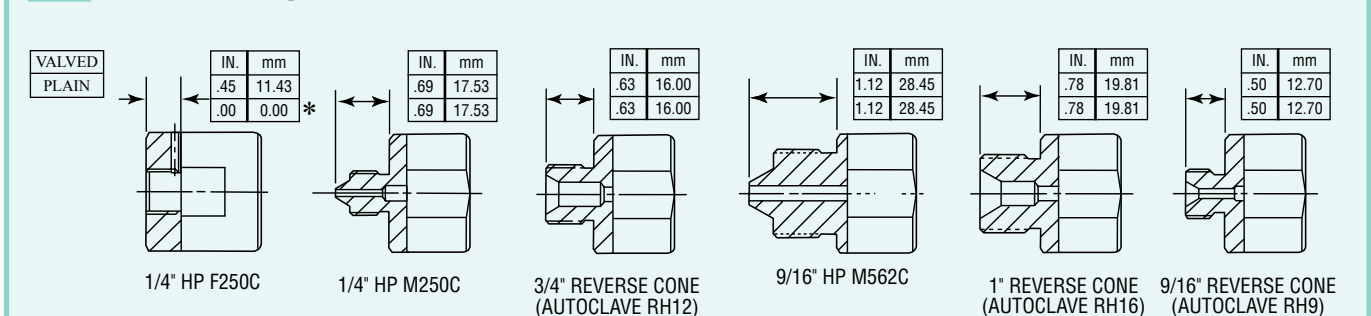
Pressures to 10,000 psi (689 bar)



Pressures to 20,000 psi (1379 bar)



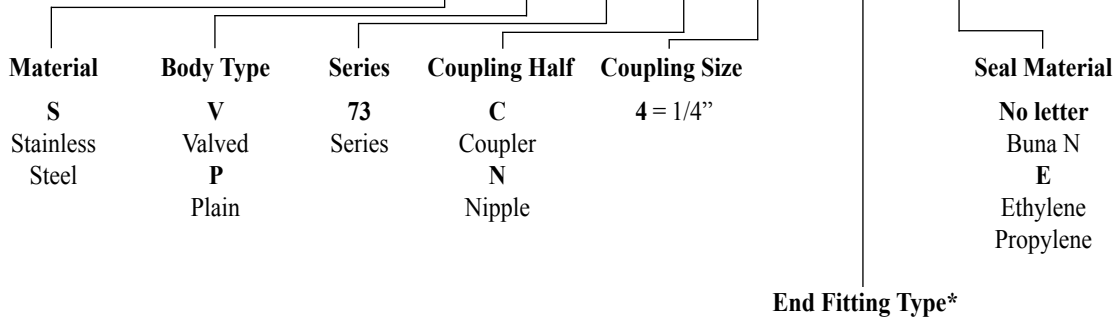
Pressures to 43,500 psi (3000 bar)



* - No increase in overall length

HOW TO ORDER

PART NO. S V 73 C 4 - SF562CX



Pressures to 10,000 psi (689 bar)	Pressures to 20,000 psi (1379 bar)	Pressures to 43,500 psi (3000 bar)
-4F 1/4" Female NPTF	SF562CX 9/16" Female Medium Pressure	M562C 9/16" High Pressure Male
-4EF 1/4" Female SAE	SF375CX 3/8" Female Medium Pressure	RH9 9/16" Reverse Cone
-4RP 1/4" Female British Parallel BS2779	SM562CX 9/16" Male Medium Pressure	RH12 3/4" Reverse Cone
-4M 1/4" Male NPT	SM375CX 3/8" Male Medium Pressure	RH16 1" Reverse Cone
-4EM 1/4" Male SAE		F250C 1/4" Female High Pressure
-6F 3/8" Female NPTF		M250C 1/4" Male High Pressure
-6EF 3/8" Female SAE		
-6RP 3/8" Female British Parallel BS2779		
-6M 3/8" Male NPT		
-6EM 3/8" Male SAE		

*Other end fittings available upon request

! WARNING !

FAILURE OR IMPROPER SELECTION OR IMPROPER USE OF THE PRODUCTS AND/OR SYSTEMS DESCRIBED HEREIN OR RELATED ITEMS CAN CAUSE DEATH, PERSONAL INJURY AND/OR PROPERTY DAMAGE.

This document and other information from Snap-tite, Inc., its subsidiaries and authorized distributors provides product and/or system options for further investigation by users having technical expertise. It is important that you analyze all aspects of your application and review the information concerning the product or system in the current product catalog. Due to the variety of operation conditions and applications for these products or systems, the user, through its own analysis and testing, is solely responsible for making the final selection of the products and systems and assuring that all performance, safety and warning requirements of the application are met.

The products described herein, including without limitation, product features, specifications, designs, availability and pricing, are subject to change by Snap-tite, Inc. and its subsidiaries at any time without notice.



Quick Disconnect & Valve Division
201 Titusville Road
Union City, Pennsylvania 16438-8699 USA
Ph: 814-438-3821 Fax: 814-438-3069
email: qd&v_sales@snap-tite.com
www.snap-tite.com



Industrial Estate
Whitemill-Wexford
Republic of Ireland
Ph: 353 53 914 1566 Fax: 353 53 914 1582
email: ste_sales@snap-tite.com
www.snap-tite.com

DISTRIBUTED BY:

ISO-9001 Certified