



**Snap-Tite**

**MULTI-COUPLING  
PANEL**

AIR START

**FOR ALL INDUSTRIES**  
Automotive - Machine Tool  
Plastic - Offshore - Petro Chemical  
Aircraft Engine Test - Medical

# COUPLINGS

## BN SERIES



**Features:**

- Balanced dry-break
- Designed to minimize end thrust under system pressure; permits the use of lighter weight plates
- Connectable under static pressure to 250 psi (17 bar)
- Low separation forces
- Eliminates the necessity of expensive locking mechanisms
- Virtually zero spillage and air inclusion
- Unique flush face valve design prevents sediment build-up in sub-sea applications
- Wide range of seal materials to handle any application

**Pressures:**

To 10,000 psig (690 bar)

**Sizes:**

3/8", 1/2" and 3/4"

**Material:**

Stainless steel

**Shut-off Combination:**

Double shut-off

## LN SERIES



**Features:**

- State-of-the art dry-break design
- Lightweight and compact design
- Spillage and air inclusion are held to a minimum
- Designed for high purity, high reliability systems
- Designed for high flow vs. low pressure drop
- Performance meets or exceeds MIL-C-7413B and MIL-C-25427A
- Wide range of seal materials to handle any application

**Pressures:**

To 1,000 psig (69 bar)

**Sizes:**

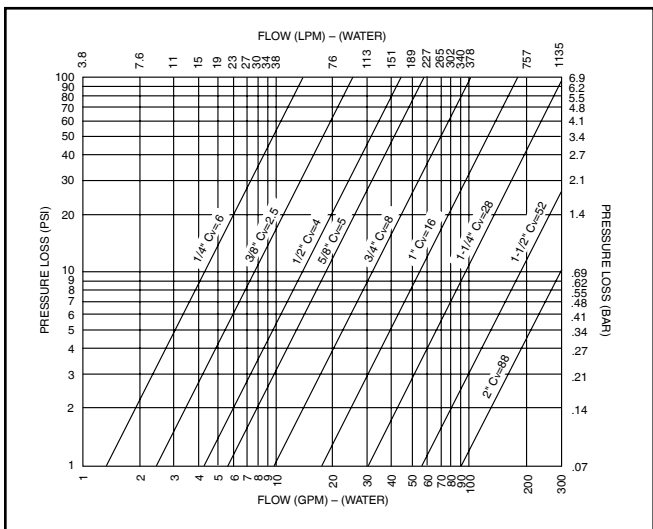
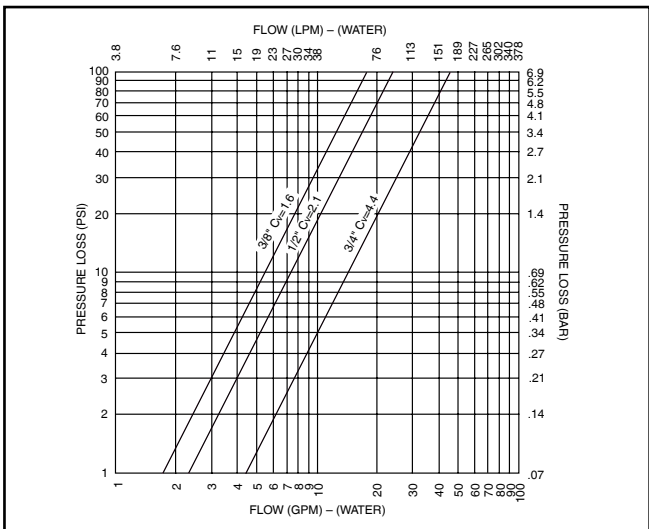
1/4" through 2"

**Materials:**

Aluminum and stainless steel

**Shut-off Combinations:**

Double shut-off



# COUPLINGS

## HN-3 SERIES



**Features:**

- Dry-break design
- High pressure capability
- Virtually zero spillage and air inclusion
- Heavy duty construction withstands high impulses and shocks
- Superior flow characteristics with low pressure drop

**Pressures:**  
To 10,000 psig (690 bar)

**Sizes:**  
1/8" through 2"

**Materials:**  
Steel with platings or coatings to customer specifications and stainless steel to meet your pressure and environmental requirements

**Shut-off Combination:**  
Double shut-off

## MP-1 SERIES



**Features:**

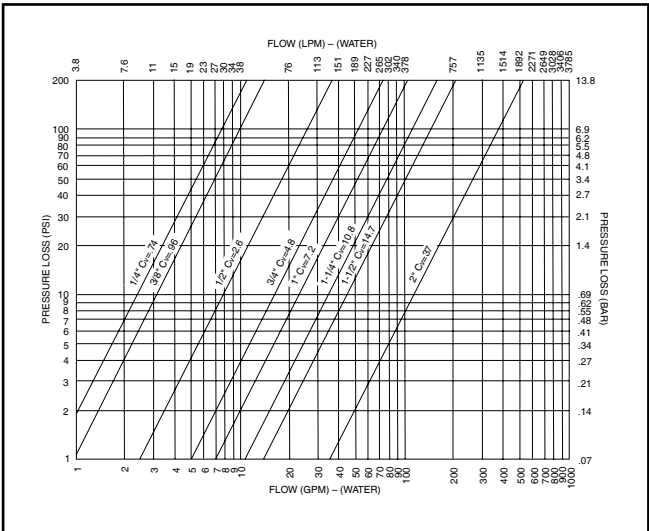
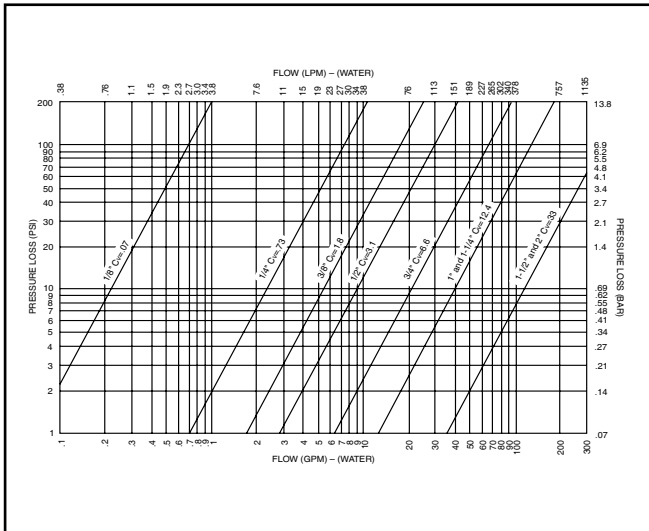
- Economical medium-pressure poppet design
- Two-piece construction for end fitting versatility
- Anti-extrusion seal
- Multitude of seals and materials to handle gases, fluids and vacuums in a wide range of pressures and temperatures
- Streamline valve design for high flow with minimal pressure drop
- Seal and poppet design are wear and pressure compensated for positive shut-off with zero leakage

**Pressures:**  
To 3,000 psig (207 bar) (For higher pressure consult factory)

**Sizes:**  
1/4" through 4" (larger sizes are available)

**Materials:**  
Steel with platings or coatings to customer specifications and stainless steel to meet your pressure and environmental requirements

**Shut-off Combination:**  
Double shut-off/Single shut-off





# COUPLINGS

## HP SERIES



### Features:

- High pressure poppet valve design
- Wide range of elastomeric seals available, as well as Teflon® and polymer valve seals
- Compact design permits mounting on junction boxes to disconnect hydraulic hose bundles for oil field applications
- Leak-free, high-reliability poppet coupling for critical hydraulic control systems

### Pressures:

To 10,000 psig (690 bar) also suitable for vacuum applications

### Sizes:

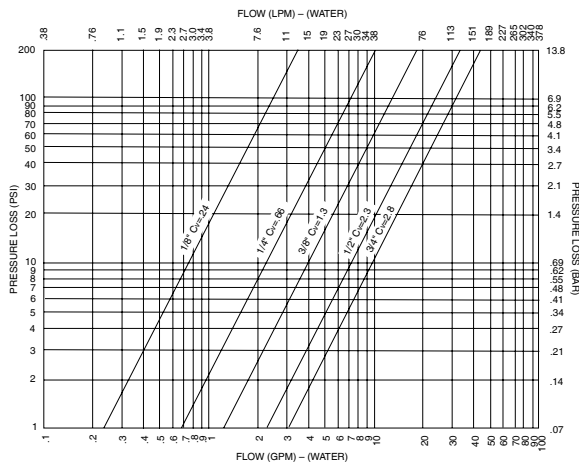
1/8" through 3/4"

### Materials:

Stainless steel

### Shut-off Combination:

Double shut-off



## SJ SERIES



### Features:

- Plain slip-joint design
- For transfer of large volumes of liquids or gases where integral shut-off valves are not required
- Wide range of elastomeric seals are available including Teflon®

### Pressures:

To 10,000 psig (690 bar)

### Sizes:

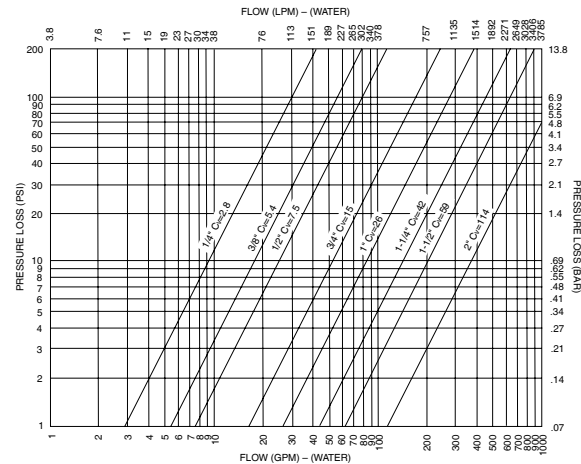
1/4" through 5"

### Materials:

Steel with platings or coatings to customer specifications and stainless steel to meet your pressure and environmental requirements

### Shut-off Combination:

Straight through

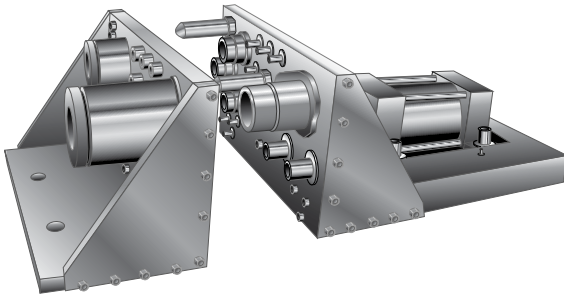


# LOCKING MECHANISMS

---

## ***Snap-tite standard panel locking mechanisms available for your individual requirements.***

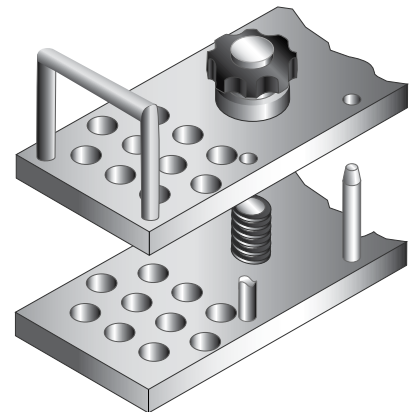
Snap-tite offers five standard locking mechanisms to be used on a wide variety of multi-coupling panels. These methods allow you to further customize your panel to your standards. When you select the coupling (or couplings), the panel configuration they're used on and the locking device – the result is a complete panel that will satisfy your specifications.



### ***High Pressure Docking Method***

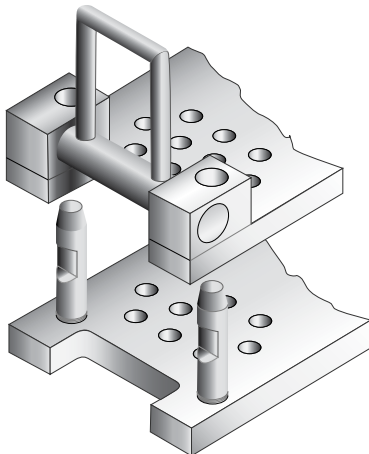
---

Used where connecting forces dictate the assistance of one or more cylinders to make the panel connection. This method is also used when separation forces exceed the recommended limits of other locking methods.



### ***Manual Rotary Method***

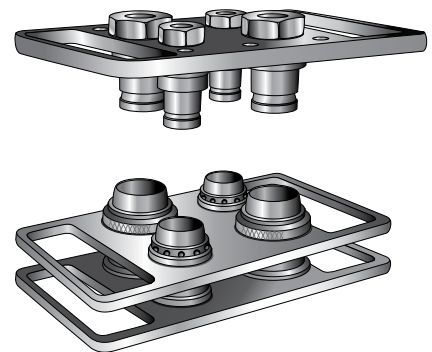
An economical method to connect small panels of 10 or more 1/2" couplings or smaller. Acme thread is used to overcome forces required to engage the couplings.



### ***Dual Stage Bar Locking Method***

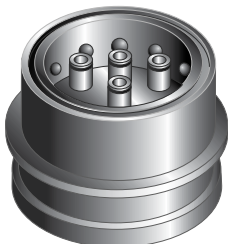
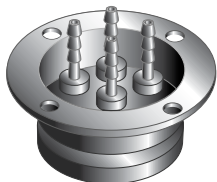
---

Snap-tite's unique double-stage locking bar overcomes high engagement forces thus allowing the manual connection of 10 or more couplings in varying sizes.



### ***Multi-Coupling Method***

This method utilizes the coupling's locking mechanism to connect and lock each coupling simultaneously. A third plate is used to activate the locking sleeves simultaneously. Recommended when using 10 couplings or less per panel.



### ***Master Coupling Method***

---

This compactness and smooth operation of a conventional quick disconnect coupling with a limited number of plain couplings enslaved within.

# GENERAL INFORMATION ON SNAP-TITE MULTI-COUPLING PANELS

- Panels are available in any size, shape or thickness to meet your specific envelope requirements.
- All couplings are supplied with multiple grooves for varying plate thicknesses.
- Couplings are available in working pressures to 30,000 psig (2069 bar).
- All couplings listed are available with individual locking mechanisms.
- All panels can be equipped with electrical connectors to meet your requirements.
- Panels can be supplied with a mix of any of the BN, LN, HN-3, MP-1, HP or SJ series couplings or sizes in patterns to suit your applications. Panel holes are numbered on top as well as the backside for easy identification.
- Large selection of end fittings: Male SAE 37° flared ('EM'), Female O-ring boss thread (EF), Male taper pipe thread (M), Female British Parallel BS2779 (RP), Female straight pipe thread in sizes 1/8" through 1" (NPSF), and Taper female pipe thread in sizes 1-1/4" and above. Other end fittings are available to meet your needs.
- Snap-tite, Inc. is known worldwide for its problem-solving engineering capabilities. We can design special couplings to meet your individual requirements. Due to space limitations we are unable to show all the designs available. Consult Snap-tite for assistance in solving your quick disconnect panel problem.



## ! WARNING !

FAILURE OR IMPROPER SELECTION OR IMPROPER USE OF THE PRODUCTS AND/OR SYSTEMS DESCRIBED HEREIN OR RELATED ITEMS CAN CAUSE DEATH, PERSONAL INJURY AND/OR PROPERTY DAMAGE.

*This document and other information from Snap-tite, Inc., its subsidiaries and authorized distributors, provides product and/or system options for further investigation by users having technical expertise. It is important that you analyze all aspects of your application and review the information concerning the product or system in the current product catalog. Due to the variety of operation conditions and applications for these products or systems, the user, through its own analysis and testing, is solely responsible for making the final selection of the products and systems and assuring that all performance, safety and warning requirements of the application are met.*

*The products described herein, including without limitation, product features, specifications, designs, availability and pricing, are subject to change by Snap-tite, Inc. and its subsidiaries at any time without notice.*

 **Snap-tite**  
COMPONENTS, INC.

Quick Disconnect & Valve Division  
201 Titusville Road  
Union City, Pennsylvania 16438-8699 USA  
PH: 814-438-3821 FAX: 814-438-3069  
e-mail: qdv\_sales@snap-tite.com  
www.snap-tite.com

 **Snap-tite**  
EUROPE

Industrial Estate  
Whitemill - Wexford  
Republic of Ireland  
PH: 353 53 914 1566 FAX: 353 53 914 1582  
e-mail: ste\_sales@snap-tite.com  
www.snap-tite.com